

SOT539A

CDFM4; Tape reel SMD; standard product orientation 12NC ending 135

AMPLEON

Rev. 2 — 1 September 2015

Packing information

1. Packing method

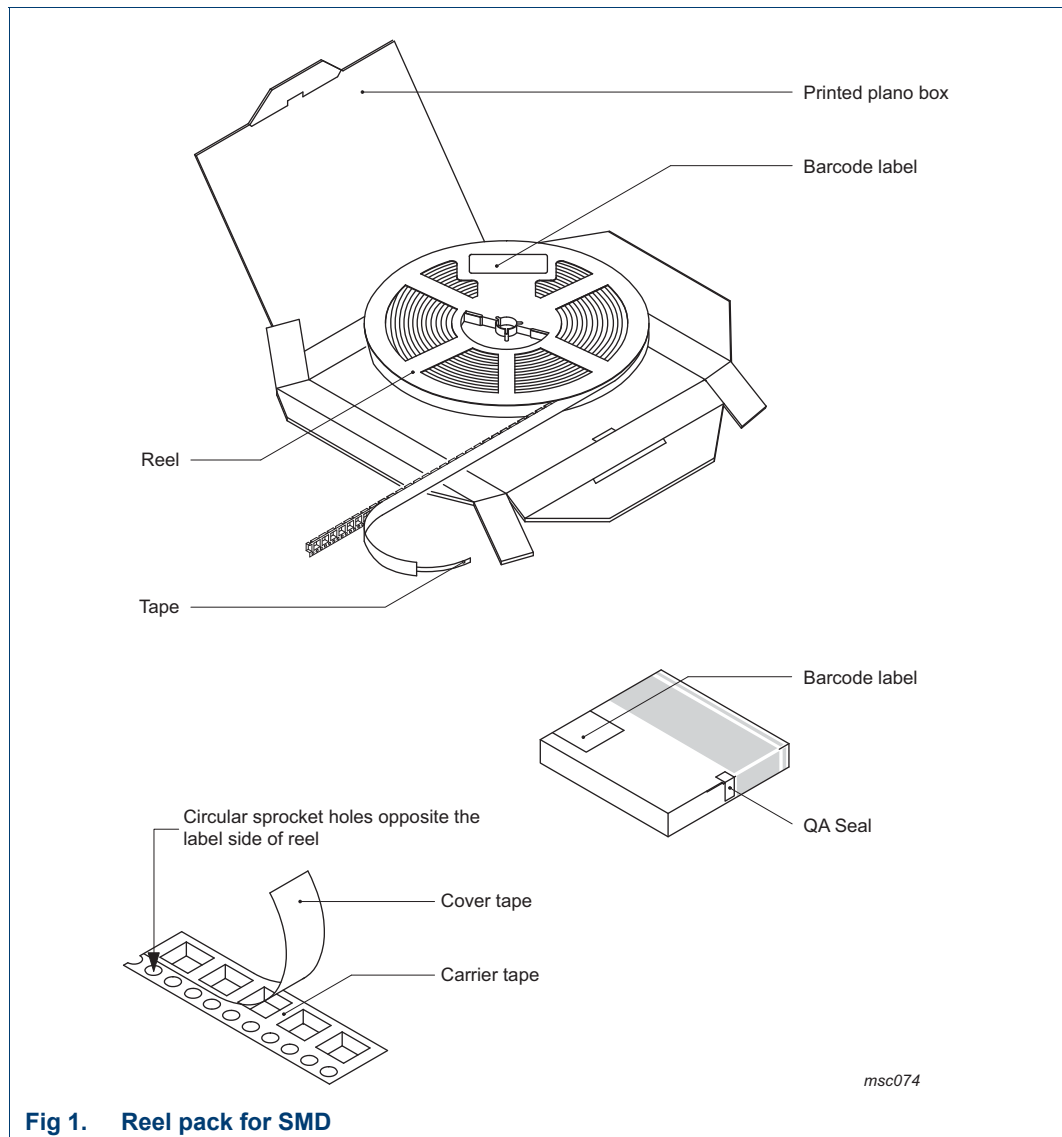


Table 1. Packing information

Package version	12NC ending	Reel dimensions d x w (mm) ^[1]	SPQ/PQ (pcs)	Reels per box	Outer box dimensions l x w x h (mm)
SOT539A	135	330 x 56	300	1	451 x 446 x 187

[1] d = reel diameter; w = tape width.

2. Carrier tape dimensions

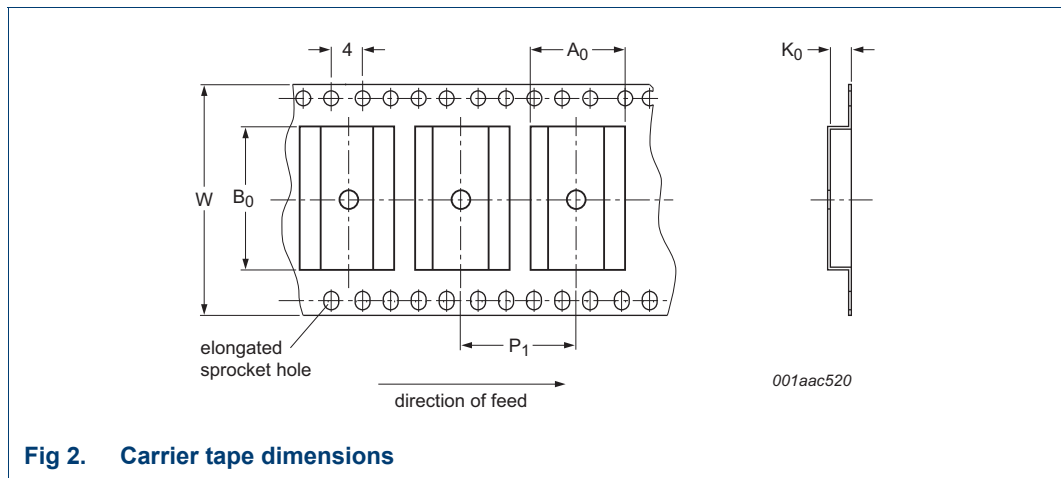


Table 2. Carrier tape dimensions

In accordance with IEC 60286-3.

A_0 (mm)	B_0 (mm)	K_0 (mm)	T (mm)	P_1 (mm)	W (mm)
21.0	41.4	5.45	-	28.0	56

3. Revision history

Table 3. Revision history

Document ID	Release date	Packing document status	Change notice	Supersedes
SOT539A_135#2	20150901	Packing information	-	SOT539A_135
Modifications:	<ul style="list-style-type: none">• The format of this document has been redesigned to comply with the new identity guidelines of Ampleon.• Legal texts have been adapted to the new company name where appropriate.			
SOT539A_135	20121129	Packing information	-	-

Limited warranty and liability

Information in this document is believed to be accurate and reliable. However, Ampleon does not give any representations or warranties, expressed or implied, as to the accuracy or completeness of such information and shall have no liability for the consequences of use of such information.

© Ampleon The Netherlands B.V. 2015.

All rights reserved.

For more information, please visit: <http://www.ampleon.com>

For sales office addresses, please visit: <http://www.ampleon.com/sales>

Date of release: 1 September 2015

Document identifier: SOT539A_135#2