



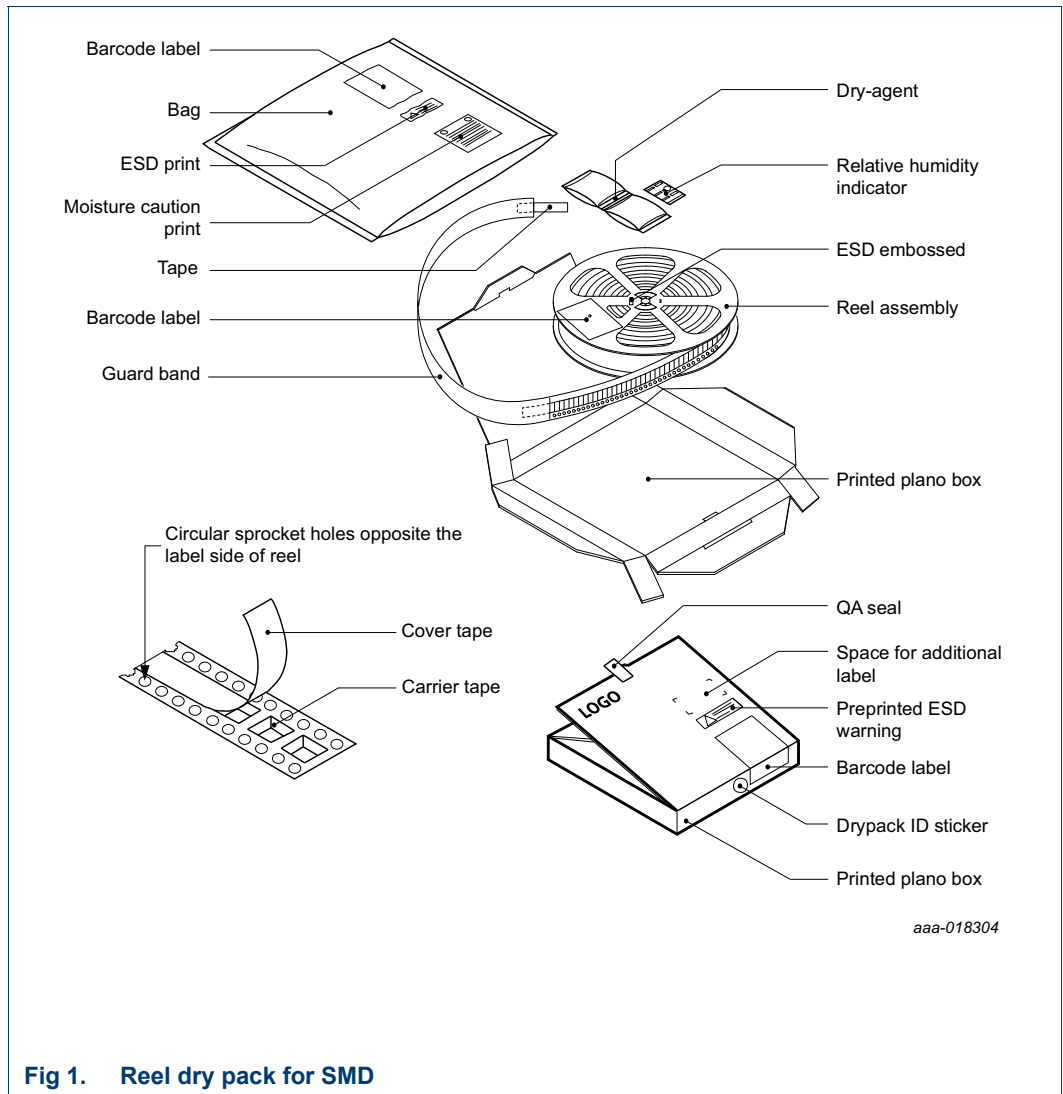
SOT1371-1

HVSON16; Reel dry pack, SMD, 7"
Q1/T1 standard product orientation
Orderable part number ending ,515 or Z
Ordering code (12NC) ending 515

Rev. 2 — 1 September 2015

AMPLEON
Packing information

1. Packing method



HVSON16; Reel dry pack, SMD, 7"
 Q1/T1 standard product orientation
 Orderable part number ending ,515 or Z
 Ordering code (12NC) ending 515

Table 1. Dimensions and quantities

Reel dimensions d × w (mm) [1]	SPQ/PQ (pcs) [2]	Reels per box	Outer box dimensions l × w × h (mm)
180 × 12	500	1	209 × 206 × 37

[1] d = reel diameter; w = tape width.

[2] Packing quantity dependent on specific product type.

For ordering and availability details, please contact your local Ampleon representative or visit:
<http://www.ampleon.com/sales>.

2. Product orientation



3. Carrier tape dimensions

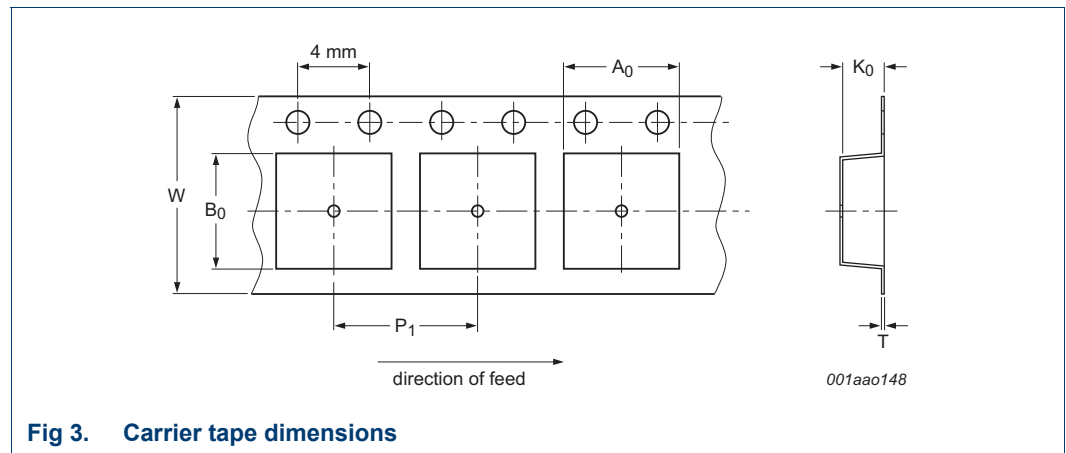


Table 2. Carrier tape dimensions

In accordance with IEC 60286-3.

A ₀ (mm)	B ₀ (mm)	K ₀ (mm)	T (mm)	P ₁ (mm)	W (mm)
4.30 ± 0.1	6.30 ± 0.1	1.30 ± 0.1	0.30 ± 0.05	8.0 ± 0.1	12.0 ± 0.3

HVSON16; Reel dry pack, SMD, 7"
 Q1/T1 standard product orientation
 Orderable part number ending ,515 or Z
 Ordering code (12NC) ending 515

4. Reel dimensions

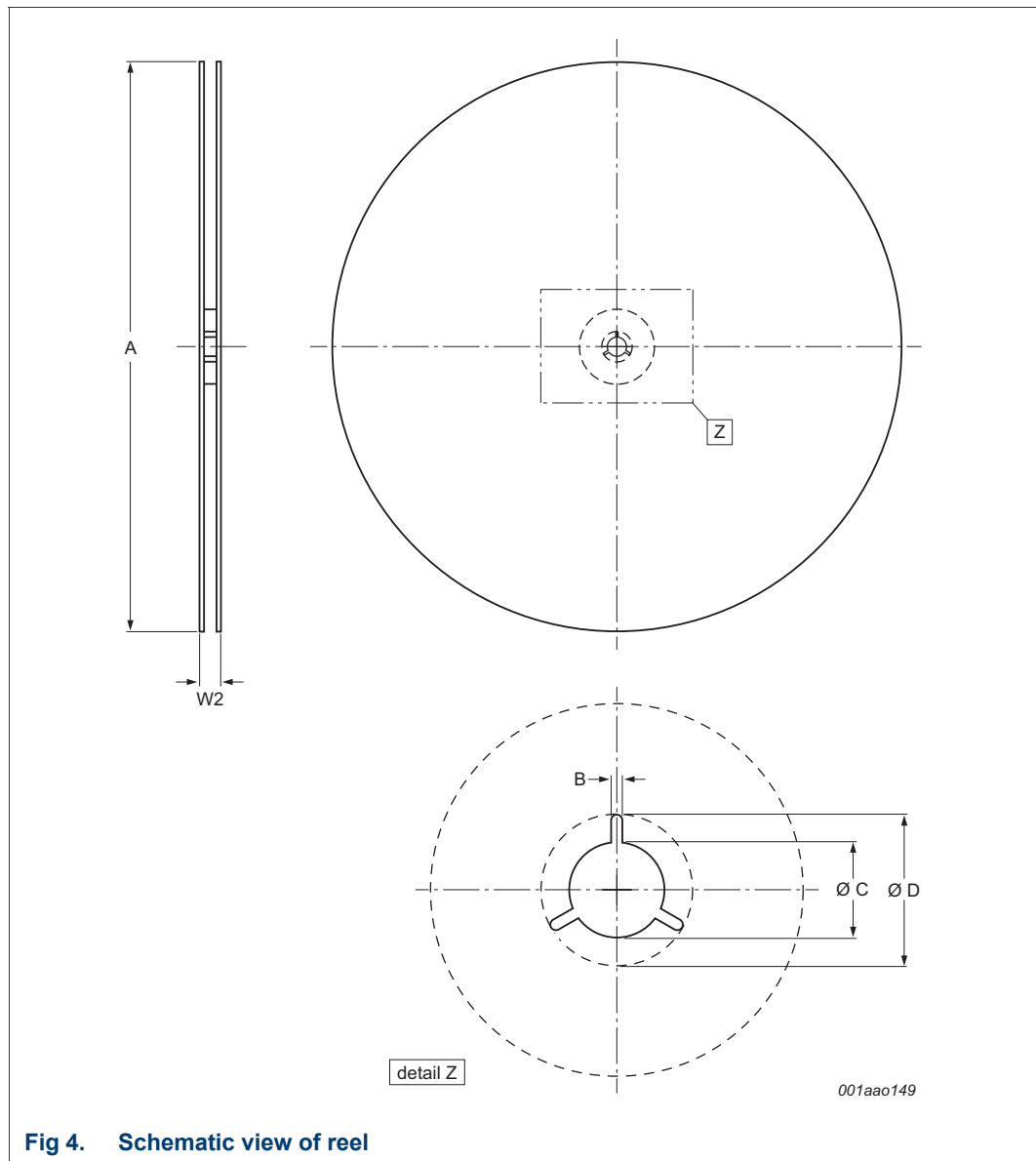


Fig 4. Schematic view of reel

Table 3. Reel dimensions
 In accordance with IEC 60286-3.

A [nom] (mm)	W2 [max] (mm)	B [min] (mm)	C [min] (mm)	D [min] (mm)
180	18.4	1.5	12.8	20.2

HVSON16; Reel dry pack, SMD, 7"
 Q1/T1 standard product orientation
 Orderable part number ending ,515 or Z
 Ordering code (12NC) ending 515

5. Barcode label

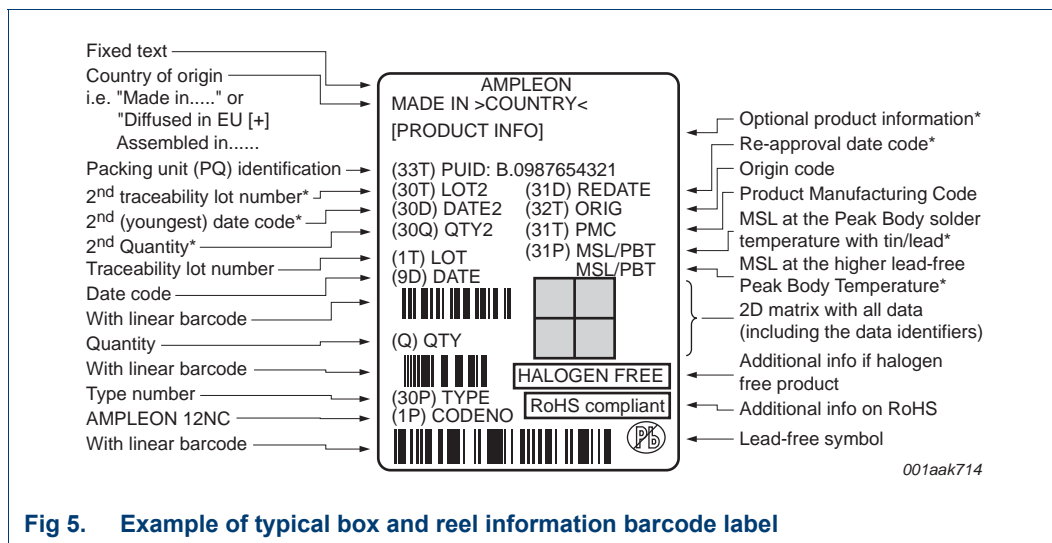


Fig 5. Example of typical box and reel information barcode label

Table 4. Barcode label dimensions

Box barcode label l × w (mm)	Reel barcode label l × w (mm)
100 × 75	100 × 75

6. Revision history

Table 5. Revision history

Document ID	Release date	Packing document status	Change notice	Supersedes
SOT1371-1_515#2	20150901	Packing information	-	SOT1371-1_515
Modifications:	<ul style="list-style-type: none">The format of this document has been redesigned to comply with the new identity guidelines of Ampleon.Legal texts have been adapted to the new company name where appropriate.			
SOT1371-1_515	20150601	Packing information	-	-

Limited warranty and liability

Information in this document is believed to be accurate and reliable. However, Ampleon does not give any representations or warranties, expressed or implied, as to the accuracy or completeness of such information and shall have no liability for the consequences of use of such information.

© Ampleon The Netherlands B.V. 2015.

All rights reserved.

For more information, please visit: <http://www.ampleon.com>

For sales office addresses, please visit: <http://www.ampleon.com/sales>

Date of release: 1 September 2015

Document identifier: SOT1371-1_515#2