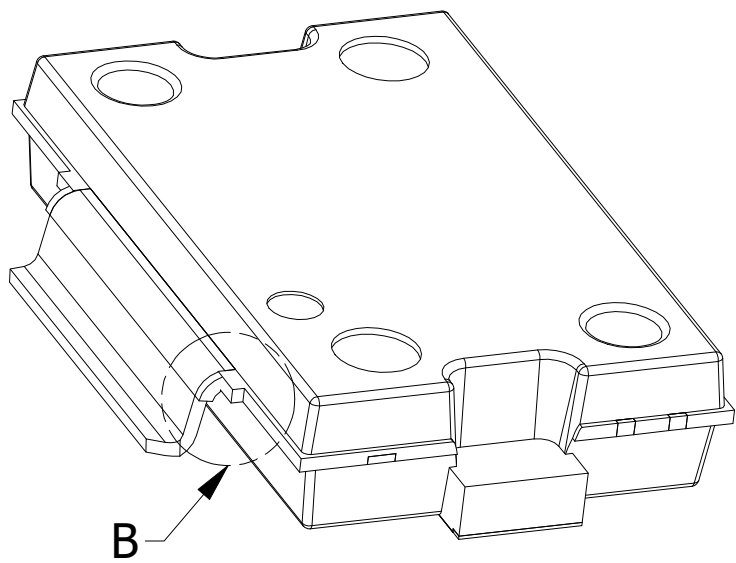


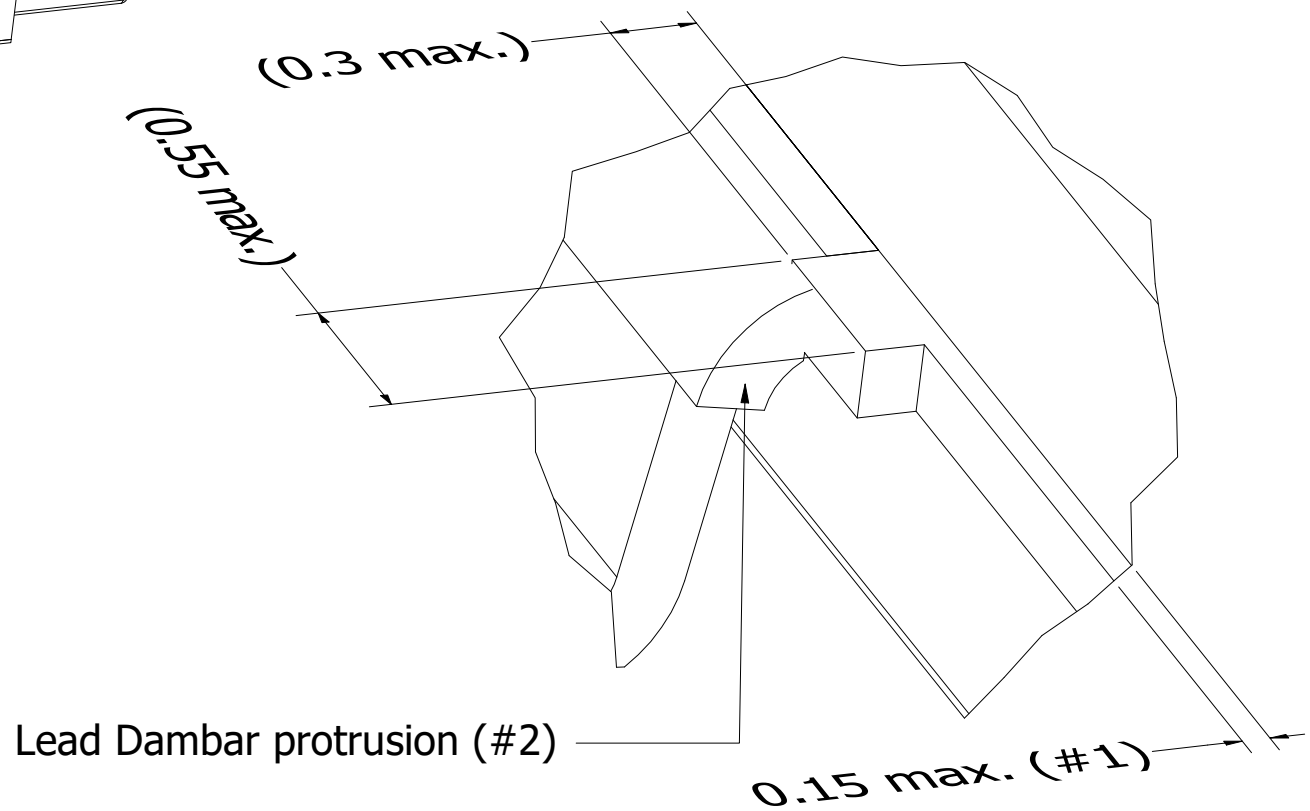


Drawing Notes

Items	Description
(1)	Dimensions are excluding mold protrusion. The mold protrusion is maximum 0.15 mm per side. See also detail B. In the dambar area max. protrusion is 0.55mm max. in length and 0.3 mm max. in width (4x) See also detail B.
(2)	The lead dambar (metal) protrusions are not included. Add 0.14 mm max to the total lead dimension at the dambar location.
(3)	The leads and exposed heatsink are plated with matte Tin (Sn).
(4)	Dimensions (Heatsink ears) 10,67 and 1,78 do not include mouldprotrusion. Overall Max. dimensions incl. mould protrusions is 10,92 mm. (max.) and 2,03 mm. (max.).
(5)	Surfaces may remain unplated (not solderable surfaces).



DETAIL B  
SCALE 50 : 1



Package outline drawing:

TO-270-2G-1

units in mm.

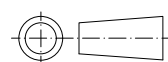
Tolerances unless otherwise stated:

Dimension:  $\pm 0.05$

Angle:  $\pm 1^\circ$

Revision: 0

Revision date: 11/7/2022



Third angle projection

Sheet 2 of 2