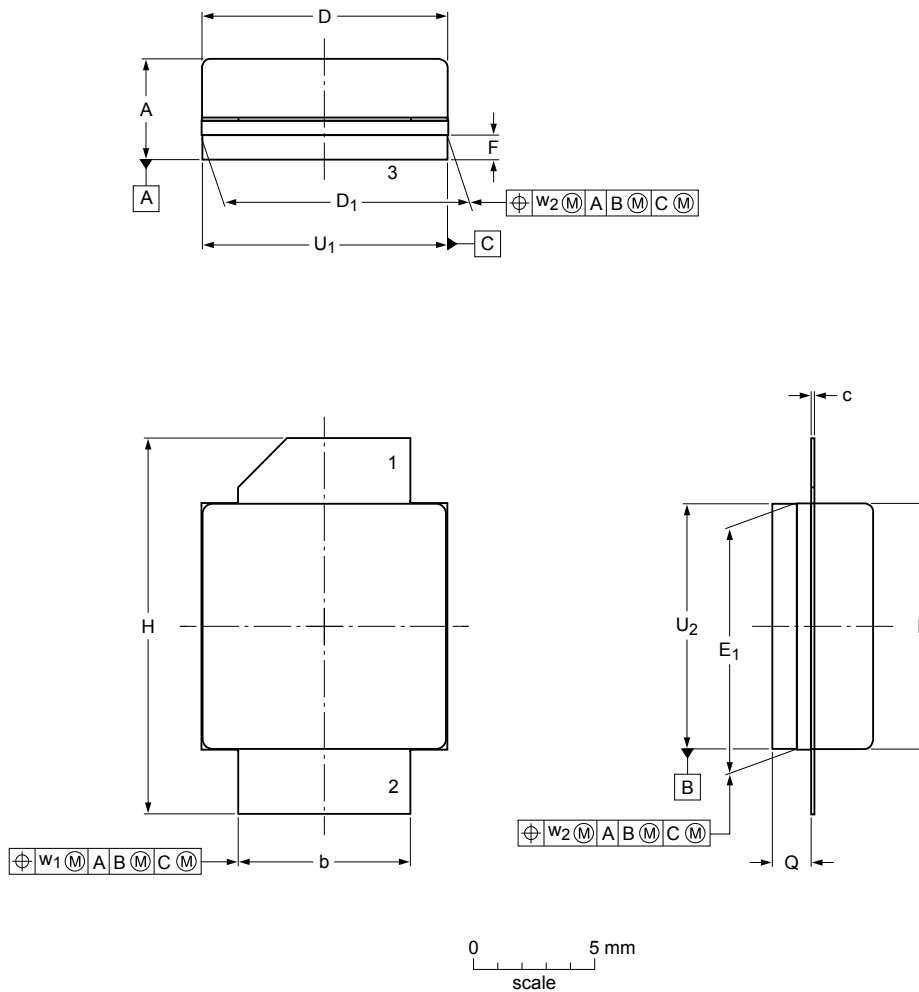


## Ceramic earless flanged package; 2 leads

SOT608B



Dimensions (millimetre dimensions are derived from the original inch dimensions)

Unit	A	b	c	D	D <sub>1</sub>	E	E <sub>1</sub>	F	H	Q	U <sub>1</sub>	U <sub>2</sub>	w <sub>1</sub>	w <sub>2</sub>
max	4.62	7.24	0.15	10.21	10.29	10.21	10.29	1.14	15.37	1.70	10.24	10.24	0.25	0.25
nom														
min	3.76	6.99	0.10	10.01	10.03	10.01	10.03	0.89	15.11	1.45	9.98	9.98		

sot608b\_po

Outline version	References			European projection	Issue date
	IEC	JEDEC	JEITA		
SOT608B					09-08-26 13-01-29