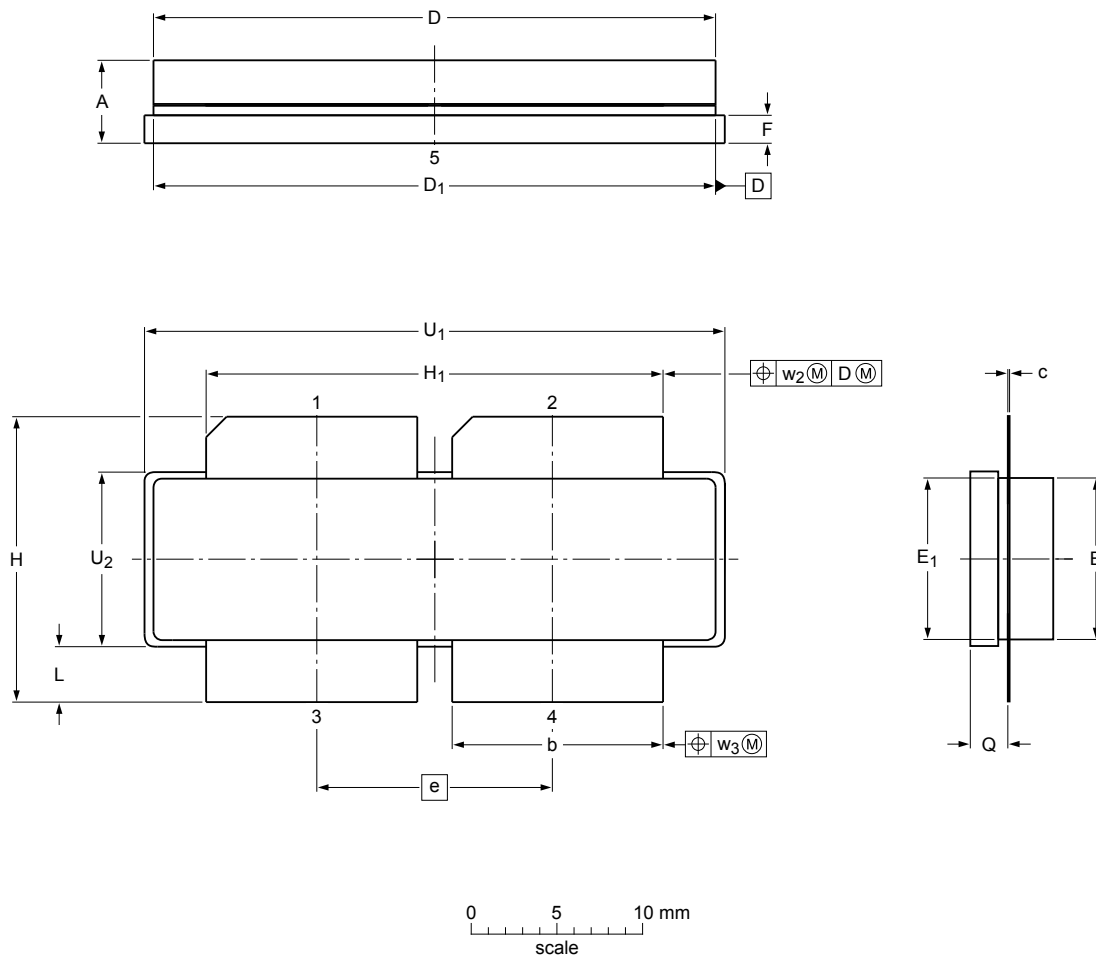


Earless flanged balanced ceramic package; 4 leads

SOT539B



Dimensions

Unit ⁽¹⁾	A	b	c	D	D ₁	E	E ₁	e	F	H	H ₁	L	Q	U ₁	U ₂	w ₂	w ₃
mm	max	4.7	11.81	0.18	31.55	31.52	9.5	9.53	1.75	17.12	25.53	3.48	2.26	32.39	10.29		
	min	4.2	11.56	0.10	30.94	30.96	9.3	9.27	1.50	16.10	25.27	2.97	2.01	32.13	10.03	0.25	0.25
inches	max	0.185	0.465	0.007	1.242	1.241	0.374	0.375	0.069	0.674	1.005	0.137	0.089	1.275	0.405		
	min	0.165	0.455	0.004	1.218	1.219	0.366	0.365	0.059	0.634	0.995	0.117	0.079	1.265	0.395	0.01	0.01

Note

1. millimeter dimensions are derived from the original inch dimensions.

sot539b_po

Outline version	References			European projection	Issue date
	IEC	JEDEC	JEITA		
SOT539B					12-05-02 13-05-24