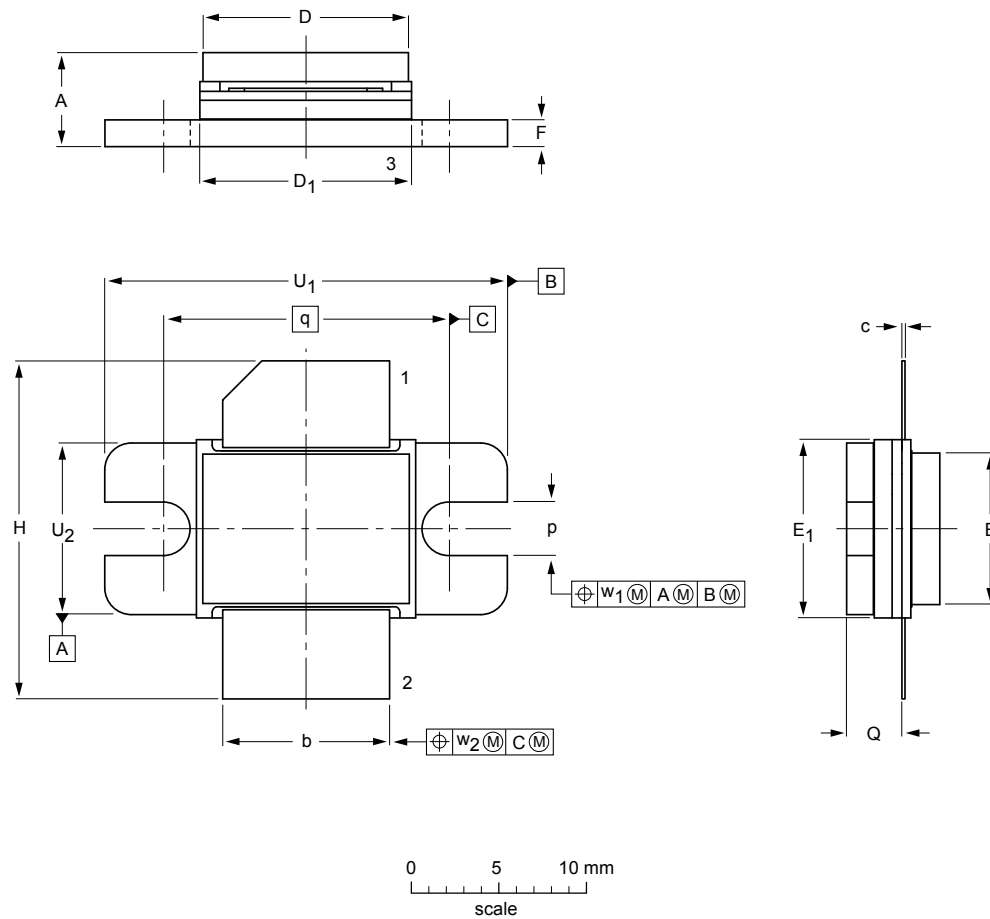


Flanged hermetic ceramic package; 2 mounting holes; 2 leads

SOT423A



DIMENSIONS (millimetre dimensions are derived from the original inch dimensions)

UNIT	A	b	c	D	D ₁	E	E ₁	F	H	p	Q	q	U ₁	U ₂	w ₁	w ₂
mm	5.72	9.53	0.10	12.09	12.83	8.84	10.29	1.58	19.81	3.43	3.35	16.51	22.99	9.91	0.25	0.76
	4.90	9.27	0.05	11.71	12.57	8.56	10.03	1.47	18.29	3.18	2.95		22.73	9.65		
inches	0.225	0.375	0.004	0.476	0.505	0.348	0.405	0.062	0.78	0.135	0.132	0.65	0.905	0.390	0.01	0.03
	0.193	0.365	0.002	0.461	0.495	0.337	0.395	0.058	0.72	0.125	0.116		0.895	0.380		

OUTLINE VERSION	REFERENCES			EUROPEAN PROJECTION	ISSUE DATE
	IEC	JEDEC	EIAJ		
SOT423A					99-03-29