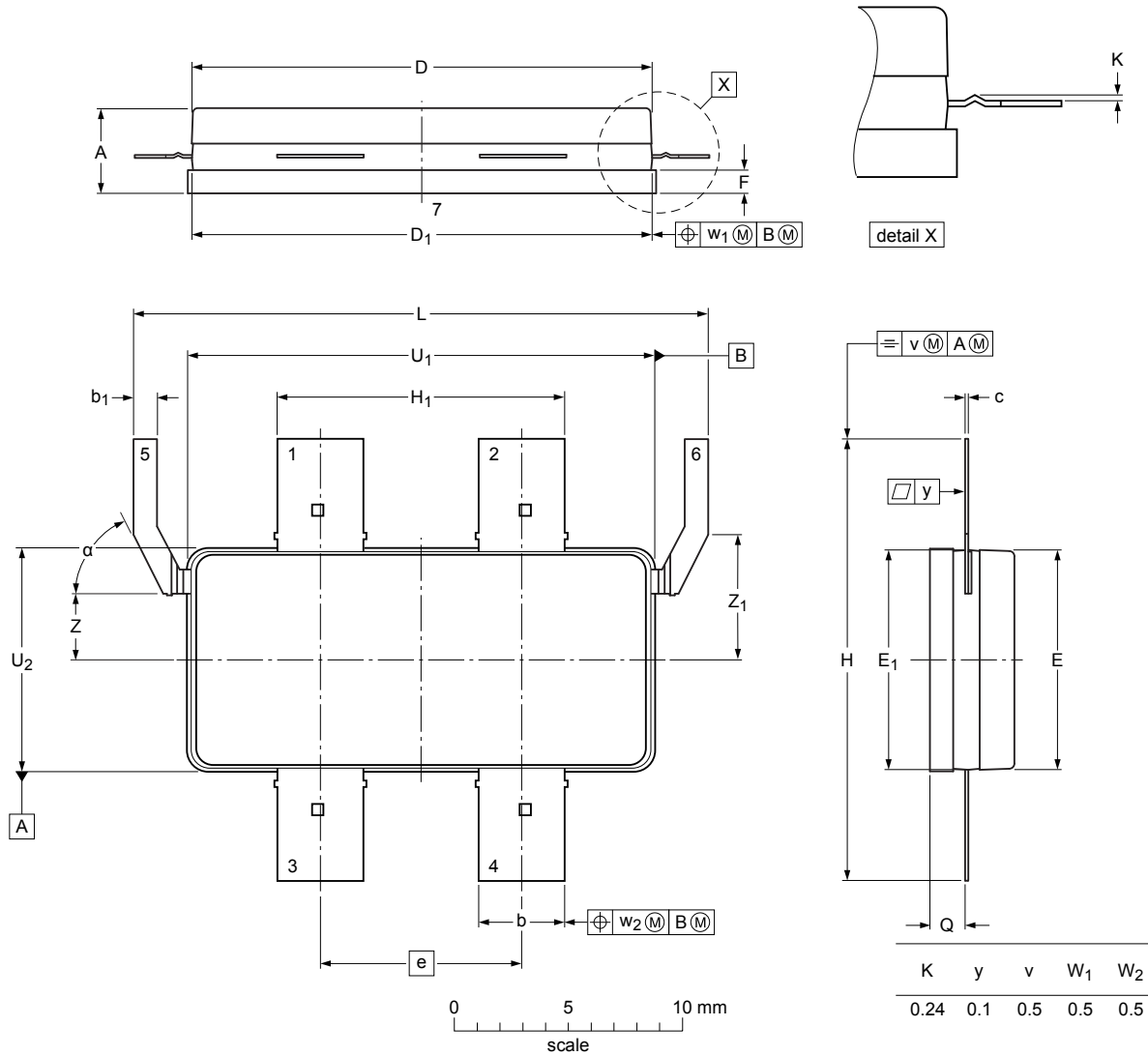


Air cavity plastic earless flanged package; 6 leads

SOT1275-3



Dimensions

Unit	A	b	b ₁	c	D	D ₁	E	E ₁	e	F	H	H ₁	L	Q ⁽¹⁾	U ₁	U ₂	Z	Z ₁	α	
max	4.01	3.94	1.14	0.178	20.42	20.37	9.8	9.75		1.14	19.53	12.8	25.5	1.68	20.7	9.91	3.17	5.79	65°	
nom									8.89											
min	3.40	3.68	0.89	0.127	20.12	20.17	9.5	9.55		0.94	19.33	12.6	25.2	1.45	20.5	9.70	2.67	5.29	61°	

Note

1. Dimension Q is measured 0.1 mm away from the flange.
2. Ringframe and/or ringframe glue shall not overhang at the side of the flange.

sot1275-3_po

Outline version	References			European projection	Issue date
	IEC	JEDEC	JEITA		
SOT1275-3					-15-04-02- 16-11-15