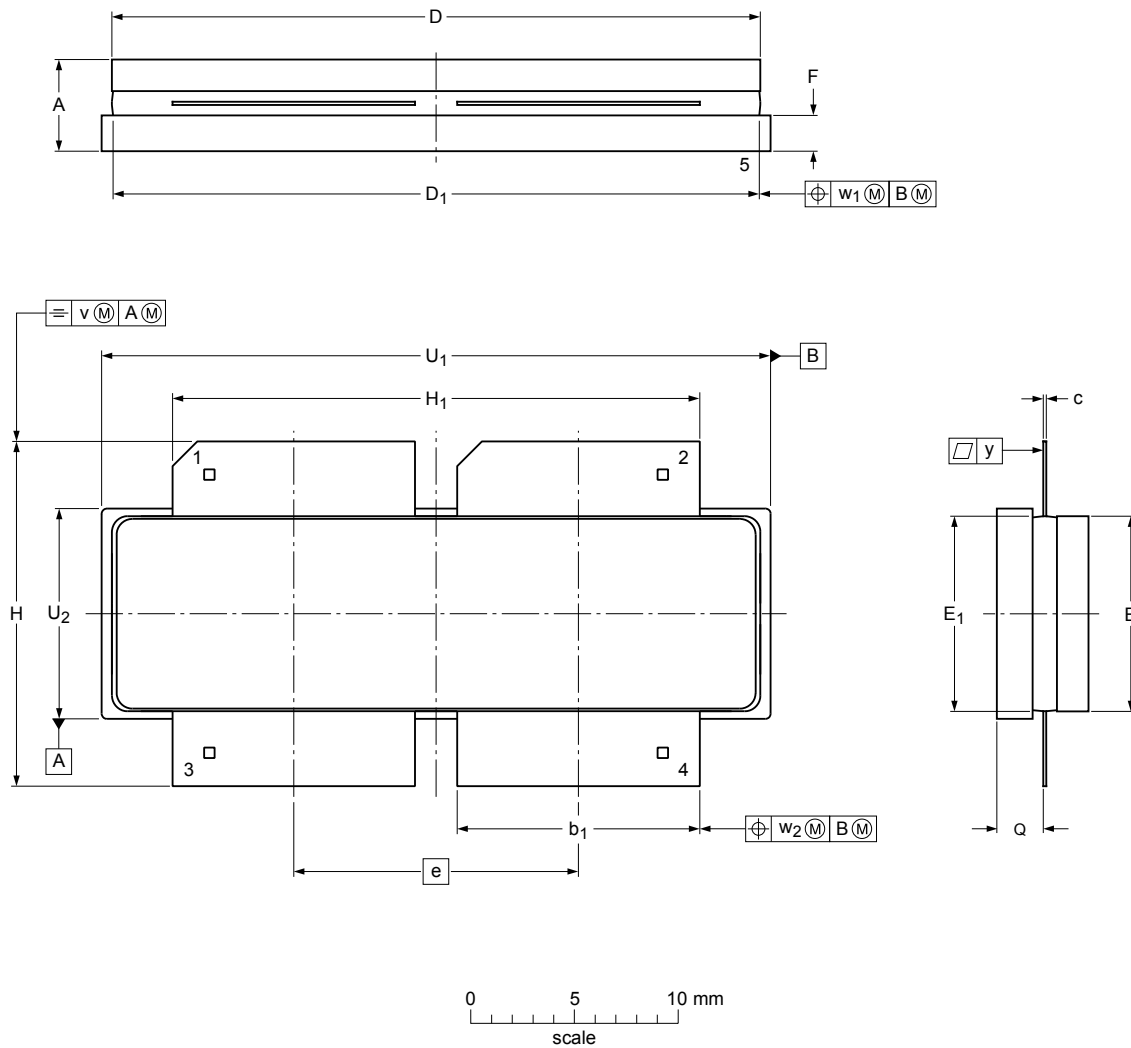


## Plastic earless flanged cavity package; 4 leads

SOT1250-1



Dimensions (mm dimensions are derived from the original inch dimension)

Unit	A	b <sub>1</sub>	c	D	D <sub>1</sub>	E	E <sub>1</sub>	e	F	H	H <sub>1</sub>	Q <sup>(1)</sup>	U <sub>1</sub>	U <sub>2</sub>	v	w <sub>1</sub>	w <sub>2</sub>	y	
max	4.65	11.79	0.18	31.44	31.34	9.60	9.50		1.83	16.71	25.50	2.33	32.33	10.23	0.50	0.50	0.50	0.10	
nom								13.72											
min	4.18	11.58	0.13	31.04	31.14	9.20	9.30		1.63	16.51	25.30	2.13	32.13	10.03					

**Note**

- Dimension Q is measured 0.1 mm away from the flange.
- Ringframe and/or ringframe glue shall not overhang at the side of the flange.

sot1250-1\_po

Outline version	References			European projection	Issue date
	IEC	JEDEC	JEITA		
SOT1250-1					13-09-03 16-05-20