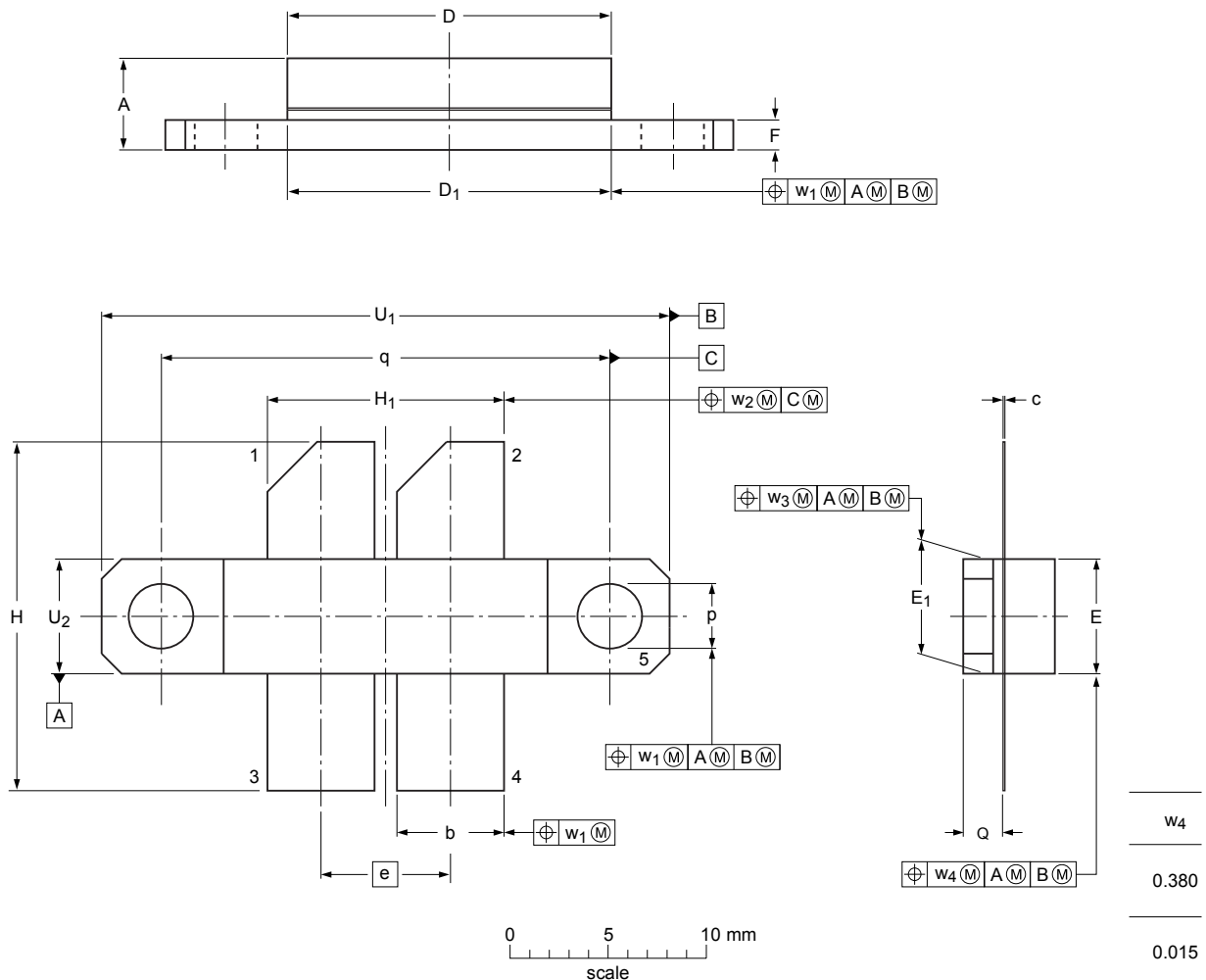


Flanged LDMOST ceramic package; 2 mounting holes; 4 leads

SOT1228A



Dimensions

Unit ⁽¹⁾	A	b	c	D	D ₁	e	E	E ₁	F	H	H ₁	p	Q ⁽²⁾	q	U ₁	U ₂	w ₁	w ₂	w ₃
mm	max	5.2	5.59	0.15	16.66	16.69		5.92	5.97	1.65	18.29	12.19	3.43	2.21	29.08	5.97			
	nom						6.60							22.86			0.25	0.51	0.125
inches	max	0.205	0.220	0.006	0.656	0.657		0.233	0.235	0.065	0.720	0.480	0.135	0.087	1.145	0.235			
	nom						0.26							0.900			0.01	0.02	0.005

Note

1. Millimeter dimensions are derived from the original inch dimensions.
2. Dimension is measured 0.030 inch (0.76 mm) from body.

sot1228a_po

Outline version	References			European projection	Issue date
	IEC	JEDEC	JEITA		
SOT1228A					12-06-11 13-05-16