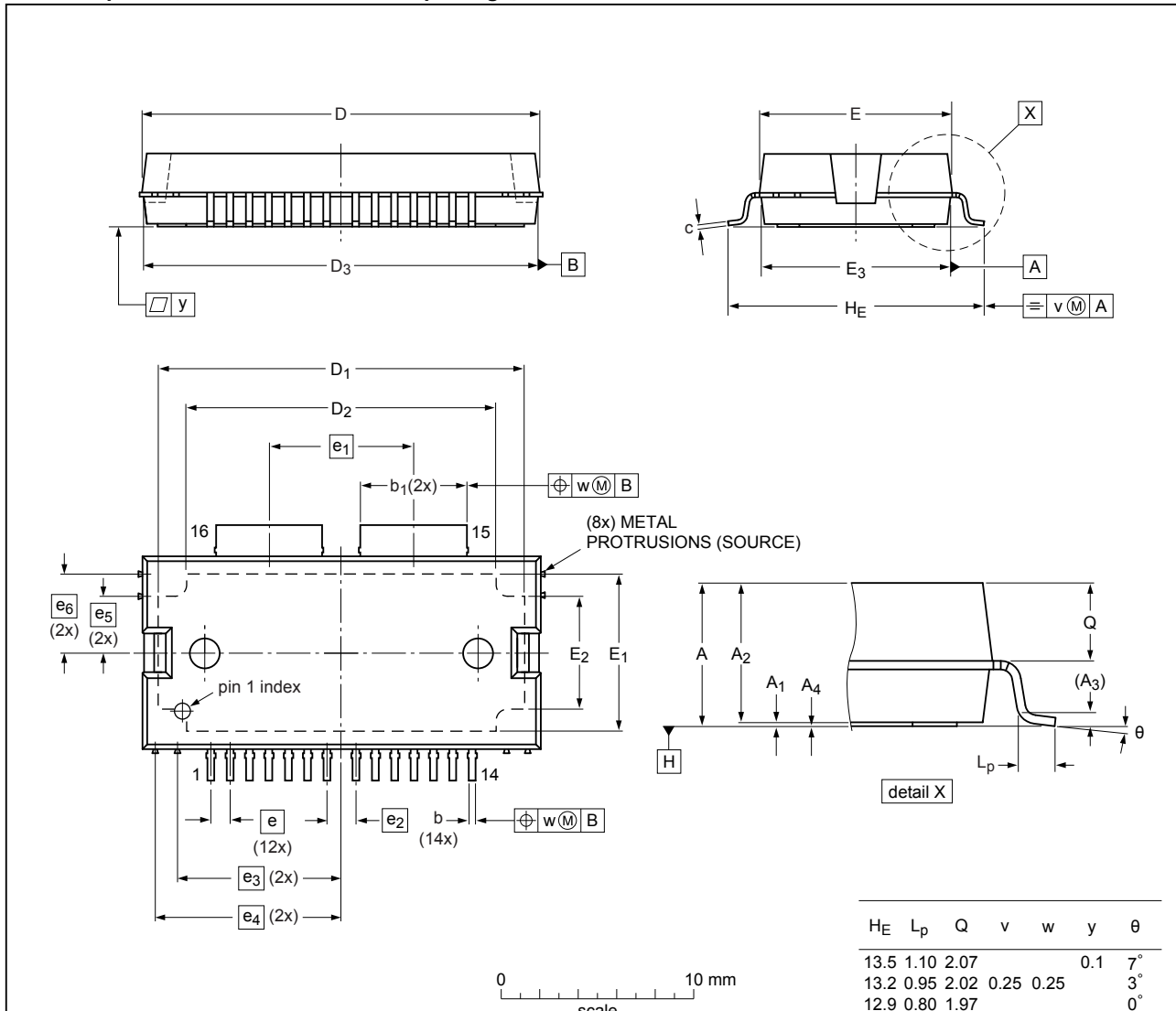


HSOP16: plastic, heatsink small outline package; 16 leads

SOT1212-2



Dimensions (mm are the original dimensions)

Unit	A	A ₁	A ₂	A ₃	A ₄	b	b ₁	c	D ⁽¹⁾	D ₁	D ₂	D ₃	E ⁽¹⁾	E ₁	E ₂	E ₃	e	e ₁	e ₂	e ₃	e ₄	e ₅	e ₆
mm max	3.9	0.2	3.65		0.06	0.40	5.55	0.27	20.62	19.00	16.05	20.44	10.01	8.18	5.89	9.83							
mm nom		0.1	3.60	0.35	0	0.35	5.50	0.22	20.57	18.95	16.00	20.39	9.96	8.13	5.84	9.78	1.0	7.45	1.5	8.45	9.55	2.97	4.07
mm min		0	3.55		-0.02	0.30	5.45	0.17	20.52	18.90	15.95	20.34	9.91	8.08	5.79	9.73							

Note

1. Package body dimensions "D" and "E" do not include mold and metal protrusions. Allowable protrusion is 0.25 mm per side.
2. Lead width dimensions "b" and "b₁" do not include dambar protrusions. Allowable dambar protrusion is 0.25 mm in total per lead.
3. Dimension A₄ is measured with respect to bottom of the heatsink DATUM H. Positive value means that the bottom of the heatsink is higher than the bottom of the lead.

sot1212-2_po

Outline version	References			European projection	Issue date
	IEC	JEDEC	JEITA		
SOT1212-2					15-01-14- 15-06-09