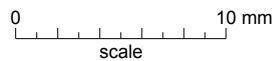
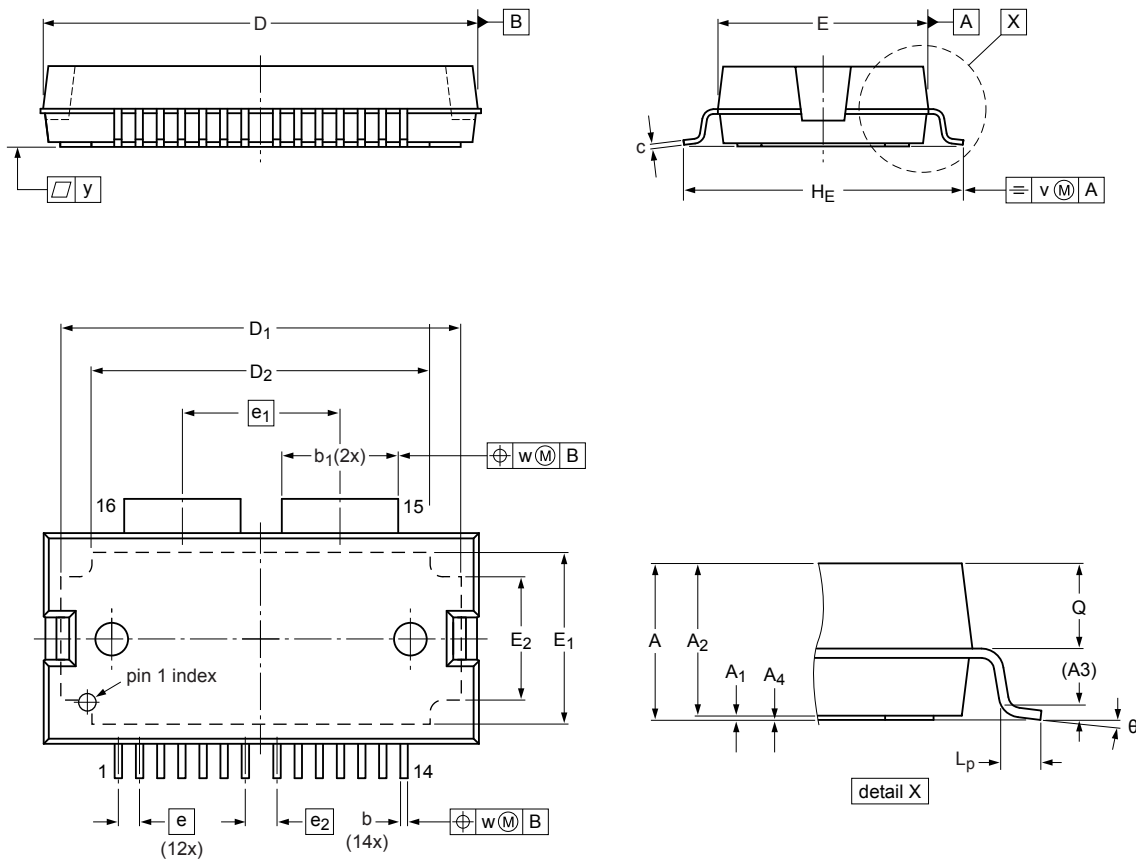


HSOP16: plastic, heatsink small outline package; 16 leads

SOT1212-1



Dimensions (mm are the original dimensions)

Unit	A	A <sub>1</sub>	A <sub>2</sub>	A <sub>3</sub>	A <sub>4</sub>	b	b <sub>1</sub>	c	D <sup>(1)</sup>	D <sub>1</sub>	D <sub>2</sub>	E <sup>(1)</sup>	E <sub>1</sub>	E <sub>2</sub>	e	e <sub>1</sub>	e <sub>2</sub>	H <sub>E</sub>	L <sub>p</sub>	Q	v
max	3.9	0.2	3.65		0.06	0.40	5.55	0.27	20.62	19.00	16.05	10.01	8.18	5.89				13.5	1.10	2.07	
mm nom		0.1	3.60	0.35	0	0.35	5.50	0.22	20.57	18.95	16.00	9.96	8.13	5.84	1.0	7.45	1.5	13.2	0.95	2.02	0.25
min		0	3.55		-0.02	0.30	5.45	0.17	20.52	18.90	15.95	9.91	8.08	5.79				12.9	0.80	1.97	

Note

1. Plastic or metal protrusions of 0.25 mm maximum per side are not included.

sot1212-1\_po

Outline version	References			European projection	Issue date
	IEC	JEDEC	JEITA		
SOT1212-1					-12-05-14- 12-05-21