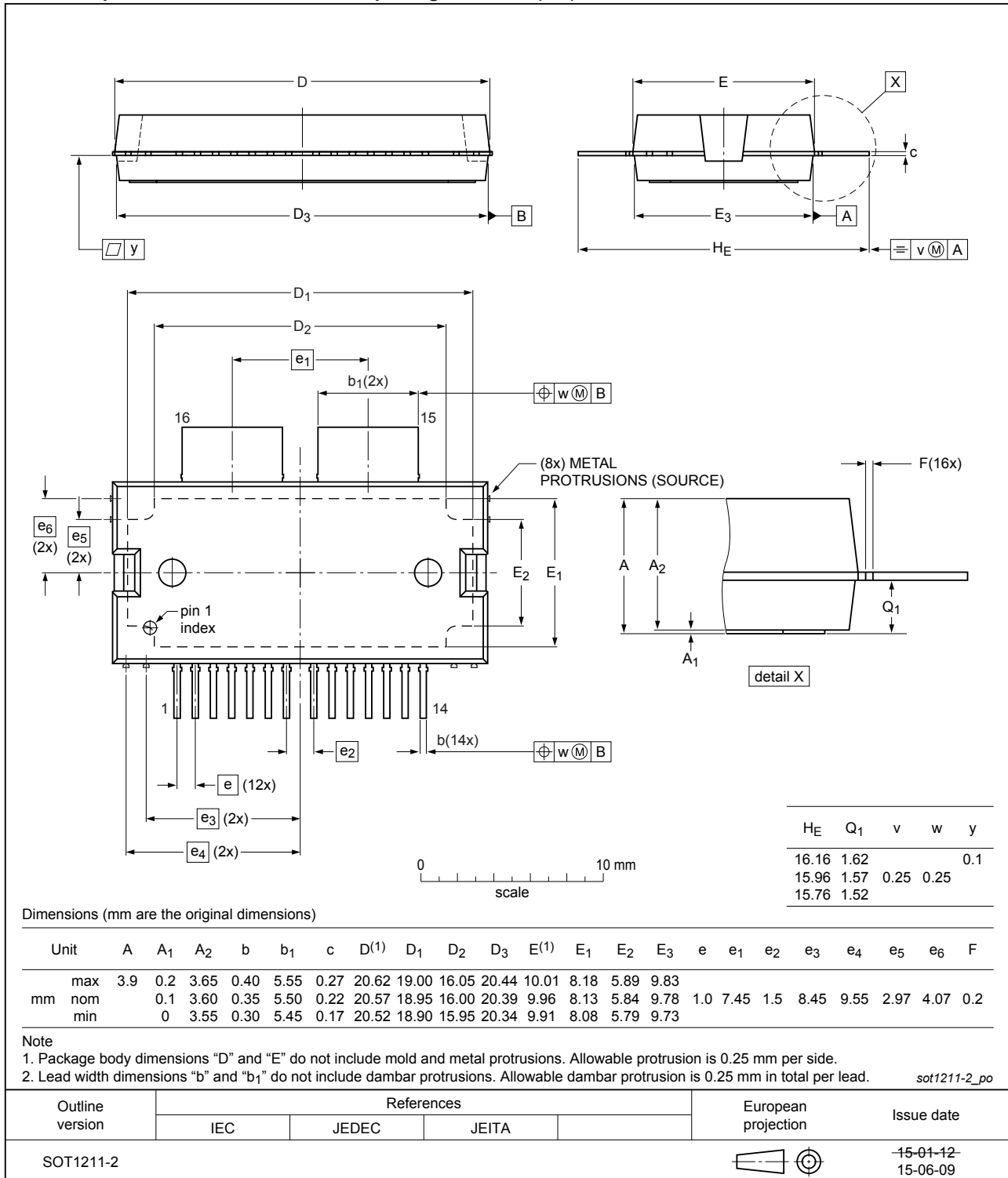


HSOP16F: plastic, heatsink small outline package; 16 leads(flat)

SOT1211-2



Dimensions (mm are the original dimensions)

Unit	A	A ₁	A ₂	b	b ₁	c	D ⁽¹⁾	D ₁	D ₂	D ₃	E ⁽¹⁾	E ₁	E ₂	E ₃	e	e ₁	e ₂	e ₃	e ₄	e ₅	e ₆	F	
max	3.9	0.2	3.65	0.40	5.55	0.27	20.62	19.00	16.05	20.44	10.01	8.18	5.89	9.83									
nom		0.1	3.60	0.35	5.50	0.22	20.57	18.95	16.00	20.39	9.96	8.13	5.84	9.78	1.0	7.45	1.5	8.45	9.55	2.97	4.07	0.2	
min		0	3.55	0.30	5.45	0.17	20.52	18.90	15.95	20.34	9.91	8.08	5.79	9.73									

Note

1. Package body dimensions "D" and "E" do not include mold and metal protrusions. Allowable protrusion is 0.25 mm per side.

2. Lead width dimensions "b" and "b₁" do not include dambar protrusions. Allowable dambar protrusion is 0.25 mm in total per lead.

sot1211-2_po

Outline version	References			European projection	Issue date
	IEC	JEDEC	JEITA		
SOT1211-2					-15-01-12- 15-06-09