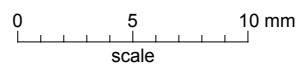
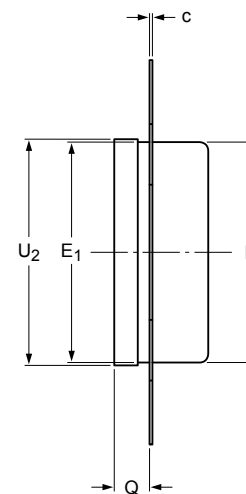
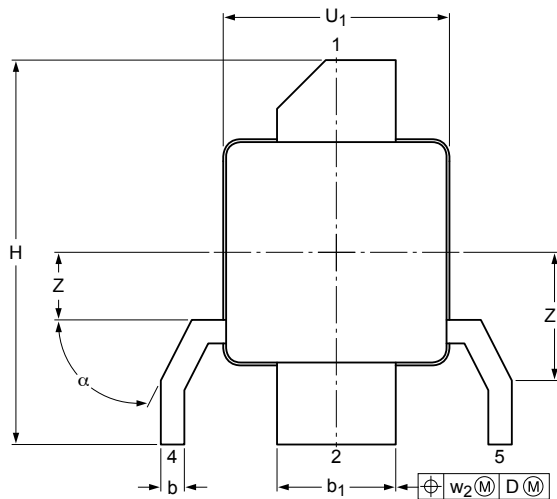
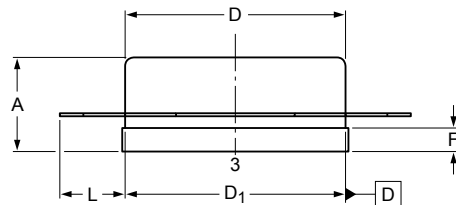


Earless flanged ceramic package; 4 leads

SOT1130B



Dimensions

Unit ⁽¹⁾	A	b	b ₁	c	D	D ₁	E	E ₁	F	H	L	Q	U ₁	U ₂	w ₂	Z	Z ₁	α
mm	max	4.65	1.14	5.26	0.18	9.65	9.65	9.65	1.14	17.12	3.00	1.70	9.91	9.91	0.51	3.05	5.66	64°
	nom																	
	min	3.76	0.89	5.00	0.10	9.40	9.40	9.40	9.40	0.89	16.10	2.69	1.45	9.65	9.65		2.79	5.41
inches	max	0.183	0.045	0.207	0.007	0.38	0.38	0.38	0.045	0.674	0.118	0.069	0.39	0.39	0.02	0.120	0.223	64°
	nom																	
	min	0.148	0.035	0.197	0.004	0.37	0.37	0.37	0.37	0.035	0.634	0.106	0.059	0.38	0.38		0.110	0.213

Note

1. millimeter dimensions are derived from the original inch dimensions.
2. dimension is measured 0.030 inch (0.76 mm) from the body.

sot1130b_po

Outline version	References			European projection	Issue date
	IEC	JEDEC	JEITA		
SOT1130B					09-10-12 09-12-14