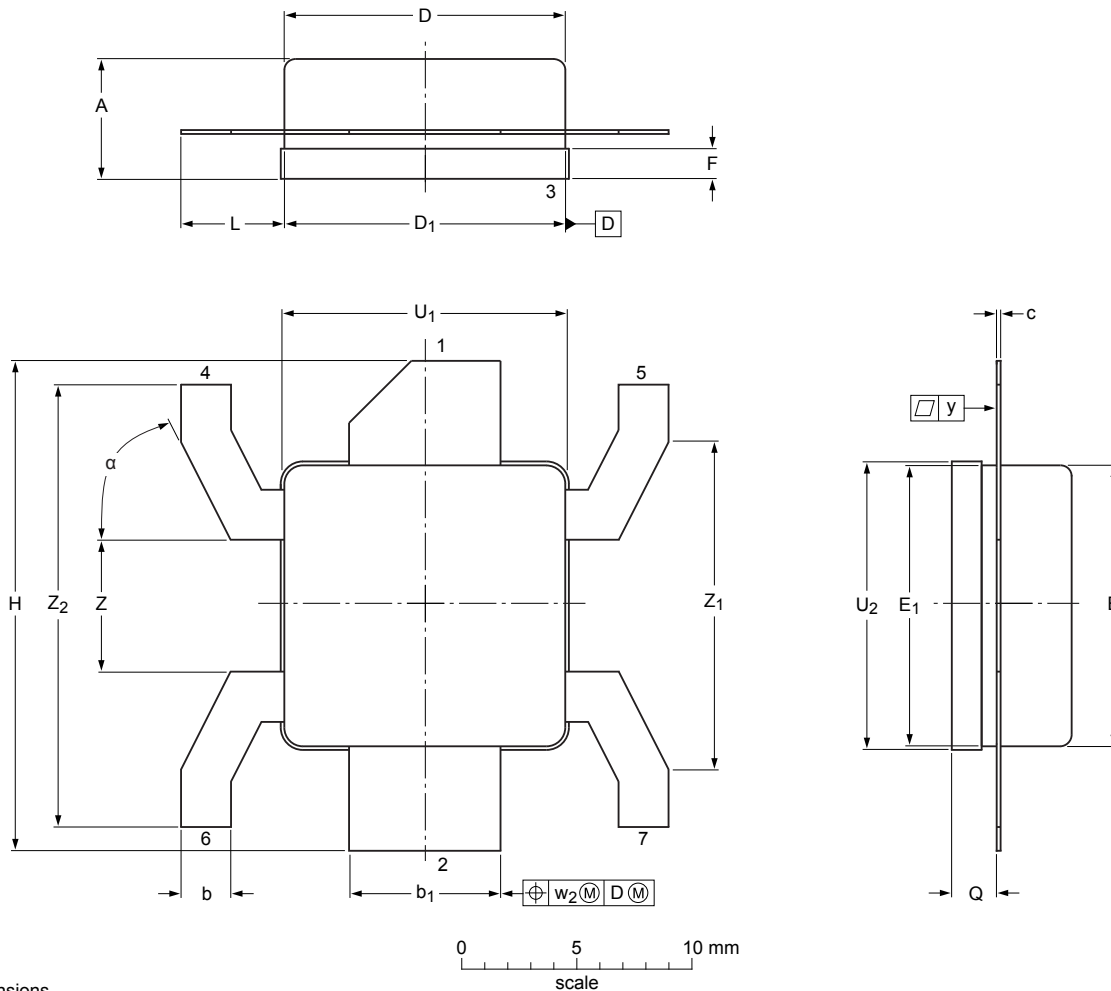


Earless flanged ceramic package; 6 leads

SOT1112B



Dimensions

Unit ⁽¹⁾	A	b	b ₁	c	D	D ₁	E	E ₁	F	H	L	Q ⁽²⁾	U ₁	U ₂	w ₂	y	Z	Z ₁	Z ₂	α
mm	max	4.65	1.83	5.26	0.18	9.65	9.65	9.65	1.14	17.12	3.63	1.70	9.91	9.91	0.51	0.15	4.60	11.51	15.52	64°
	nom																			
	min	3.76	1.57	5.00	0.10	9.40	9.40	9.40	9.40	0.89	16.10	3.38	1.45	9.65	9.65			4.34	10.62	14.50
inches	max	0.183	0.072	0.207	0.007	0.38	0.38	0.38	0.045	0.674	0.143	0.067	0.39	0.39	0.02	0.0059	0.181	0.453	0.611	64°
	nom																			
	min	0.148	0.062	0.197	0.004	0.37	0.37	0.37	0.37	0.035	0.634	0.133	0.057	0.38	0.38			0.171	0.418	0.571

Note

1. millimeter dimensions are derived from the original inch dimensions.
2. dimension is measured 0.030 inch (0.76 mm) from the body.

sot1112b_po

Outline version	References			European projection	Issue date
	IEC	JEDEC	JEITA		
SOT1112B					12-04-11 12-06-14