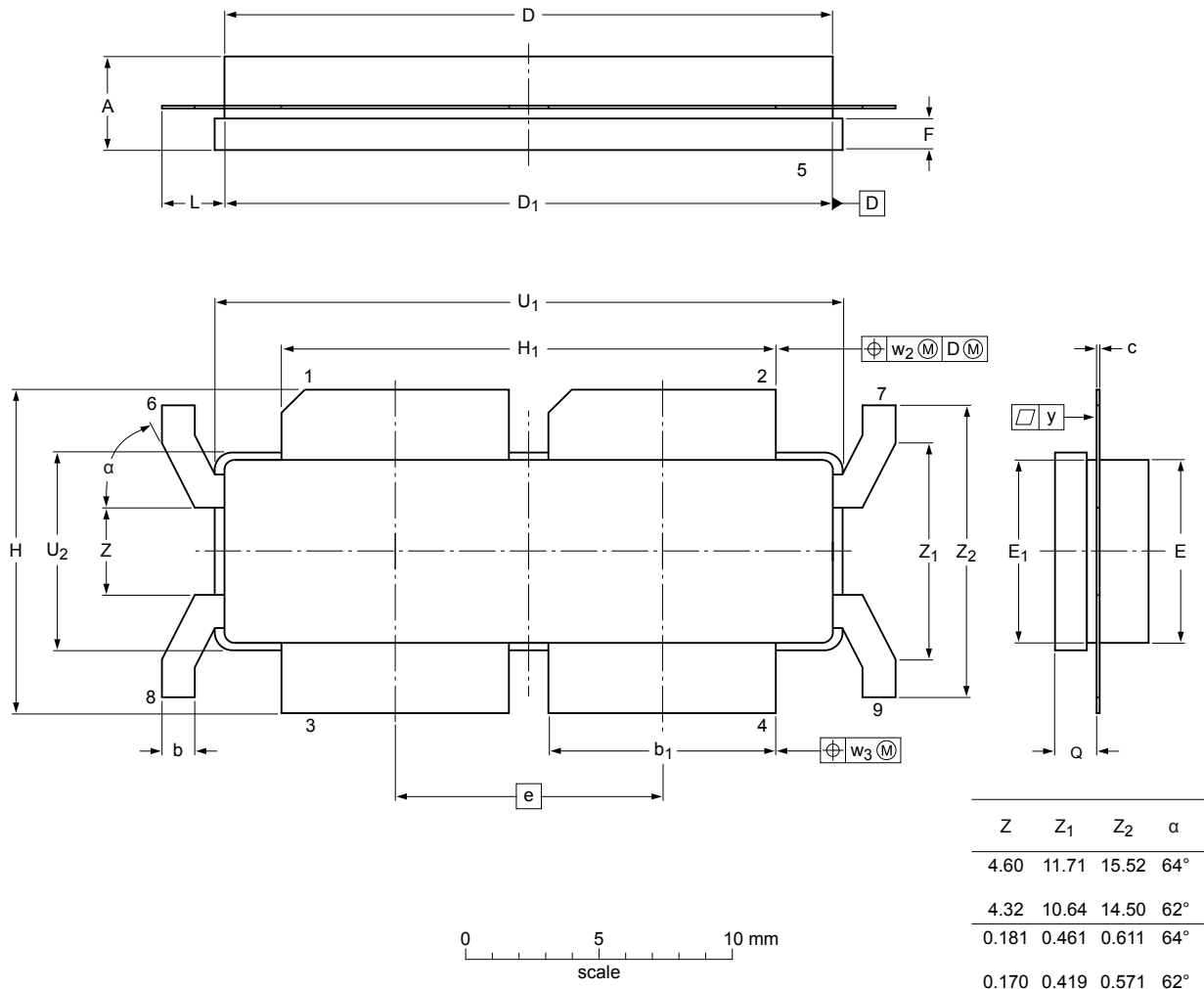


Earless flanged LDMOST ceramic package; 8 leads

SOT1110B



Z	Z ₁	Z ₂	α
4.60	11.71	15.52	64°
4.32	10.64	14.50	62°
0.181	0.461	0.611	64°
0.170	0.419	0.571	62°

Dimensions

Unit ⁽¹⁾	A	b	b ₁	c	D	D ₁	e	E	E ₁	F	H	H ₁	L	Q ⁽²⁾	U ₁	U ₂	w ₂	w ₃	y
mm	max	5.5	1.83	11.81	0.18	31.55	31.52	9.5	9.53	1.75	17.12	25.53	3.35	2.26	32.39	10.29			0.15
	nom						13.72										0.51	0.25	
inches	max	0.217	0.072	0.465	0.007	1.242	1.241	0.374	0.375	0.069	0.674	1.005	0.132	0.089	1.275	0.405			0.0059
	nom						0.54										0.02	0.01	
	min	0.165	0.062	0.455	0.004	1.218	1.219	0.366	0.365	0.059	0.634	0.995	0.122	0.079	1.265	0.395			

Note

1. millimeter dimensions are derived from the original inch dimensions.
2. dimension is measured 0.030 inch (0.76 mm) from the body.

sot1110b_po

Outline version	References			European projection	Issue date
	IEC	JEDEC	JEITA		
SOT1110B					-12-04-11- 12-06-14