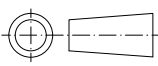
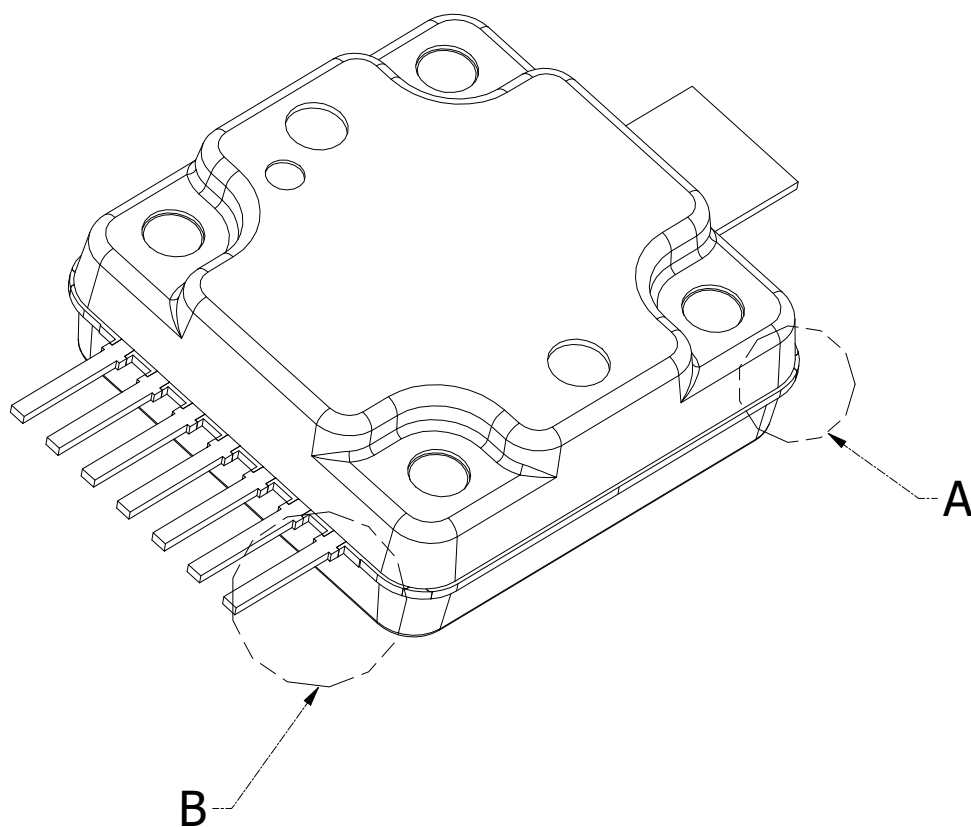


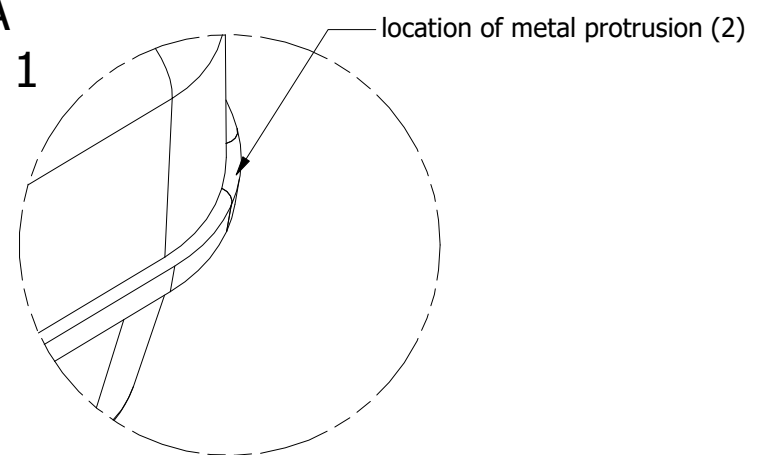
Package outline drawing:	units in mm.	Tolerances unless otherwise stated: Dimension: ± 0.05	Revision: 1
OMP-400-8F-1		Angle: ± 1°	Revision date: 11/26/2019
 Third angle projection			Sheet 1 of 2

Drawing Notes

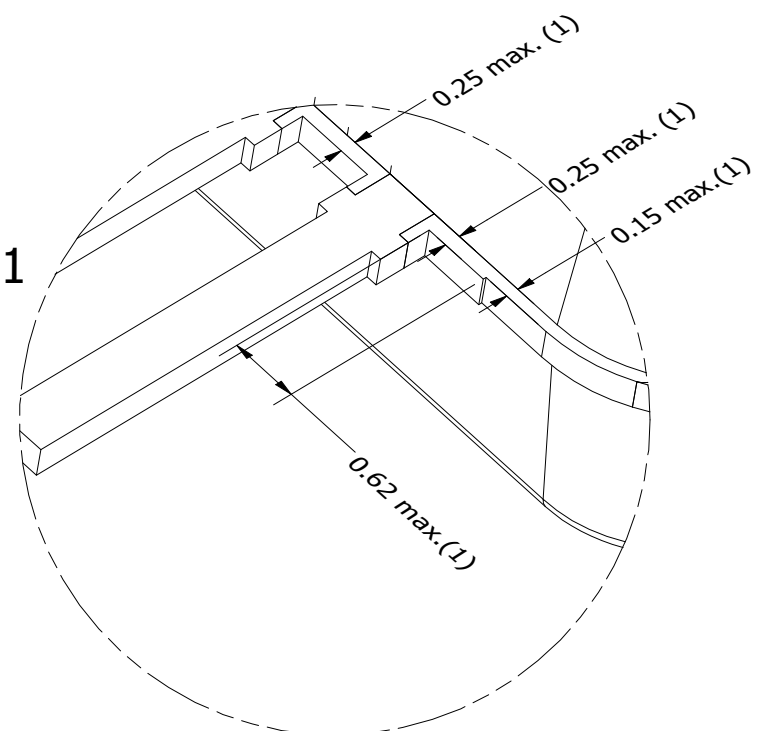
Items	Description
(1)	Dimensions are excluding mold protrusion. Areas located adjacent to the leads have a maximum mold protrusion of 0.25 mm (per side) and 0.62 mm max. in length. In between the 7 leads the protrusion is 0.25 mm. max. At all other areas the mold protrusion is maximum 0.15 mm per side. See also detail B.
(2)	The metal protrusion (tie bars) in the corner will not stick out of the molding compound protrusions (detail A).
(3)	The lead dambar (metal) protrusions are not included. Add 0.14 mm max to the total lead dimension at the dambar location.
(4)	The lead coplanarity over all leads is 0.1 mm maximum.
(5)	Dimension is measured 0.5 mm from the edge of the top package body.
(6)	The hatched area indicates the exposed heatsink. The dimensions represent the values between two opposite points along the original heatsink perimeter.
(7)	The leads and exposed heatsink are plated with matte Tin (Sn).



DETAIL A
SCALE 25 : 1



DETAIL B
SCALE 25 : 1



Package outline drawing:

units in mm.

Tolerances unless otherwise stated:

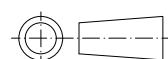
Dimension: ± 0.05

Angle: $\pm 1^\circ$

Revision: 1

Revision date: 11/26/2019

OMP-400-8F-1



Third angle projection

Sheet 2 of 2