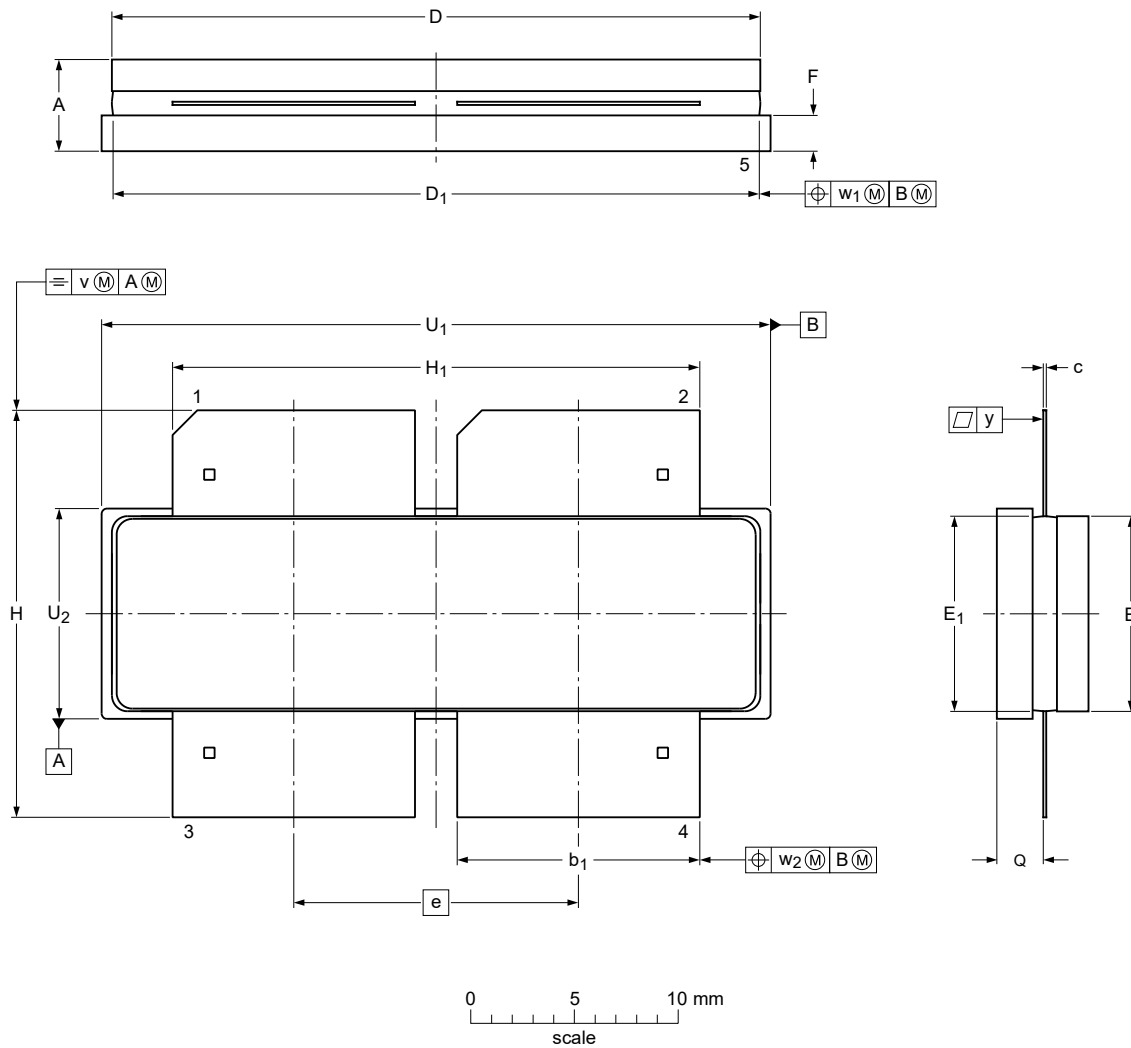


Plastic earless flanged cavity package; 4 leads

SOT1250-4



Dimensions

Unit	A	b ₁	c	D	D ₁	E	E ₁	e	F	H	H ₁	Q ⁽¹⁾	U ₁	U ₂	v	w ₁	w ₂	y
max	4.52	11.79	0.18	31.44	31.34	9.60	9.50		1.73	19.71	25.50	2.25	32.33	10.23	0.50	0.50	0.50	0.10
nom								13.72										
min	4.12	11.58	0.13	31.04	31.14	9.20	9.30		1.53	19.51	25.30	2.03	32.13	10.03				

Note

- Dimension Q is measured 0.1 mm away from the flange.
- Ringframe and/or ringframe glue shall not overhang at the side of the flange.

sot1250-4_po

Outline version	References			European projection	Issue date
	IEC	JEDEC	JEITA		
SOT1250-4					19-01-17