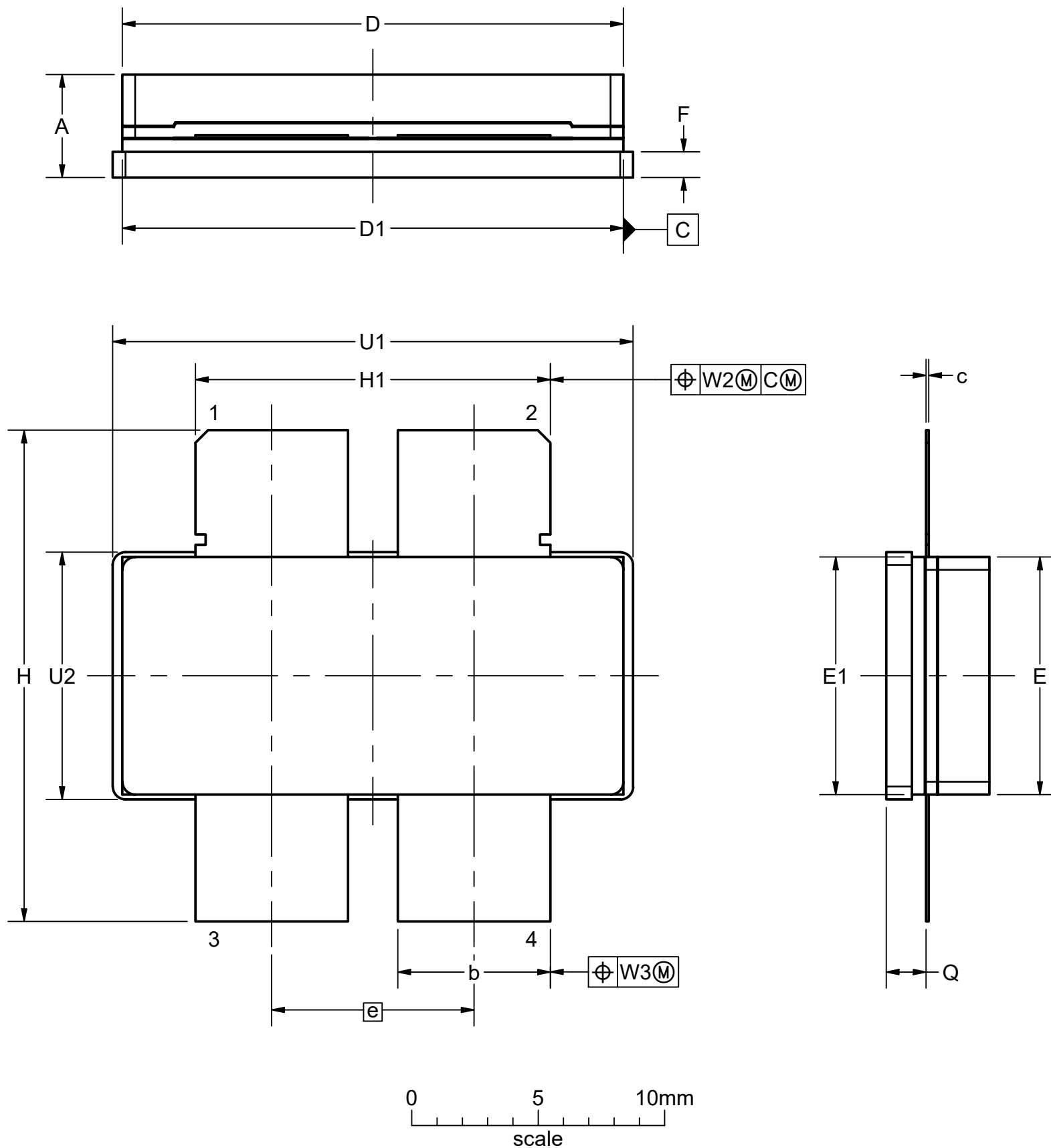


Earless flanged ceramic package; 4 leads

SOT1214B



**Dimensions**

Unit (1)	A	b	c	D	D1	e	E	E1	F	H	H1	Q(2)	U1	U2	w2	w3
mm	max	4.72	6.17	0.15	20.02	19.96		9.53	9.50	1.14	19.94	1.70	20.70	9.91		
	nom						8.21				14.24				0.51	0.25
	min	3.43	5.92	0.08	19.61	19.66		9.27	9.29	0.89	18.92	1.45	20.45	9.65		
inches	max	0.187	0.243	0.006	0.788	0.786		0.375	0.374	0.045	0.785	0.067	0.815	0.39		
	nom						0.323				0.56				0.02	0.01
	min	0.135	0.233	0.003	0.772	0.774		0.365	0.366	0.035	0.745	0.057	0.805	0.38		

**Note**  
 1. millimeter dimensions are derived from the original inch dimensions.  
 2. dimension is measured 0.030 inch (0.76) from body.

sot1214b\_po

Outline version	References			European projection	Issue date
	IEC	JEDEC	JEITA		
SOT1214B					12-10-10 14-03-27