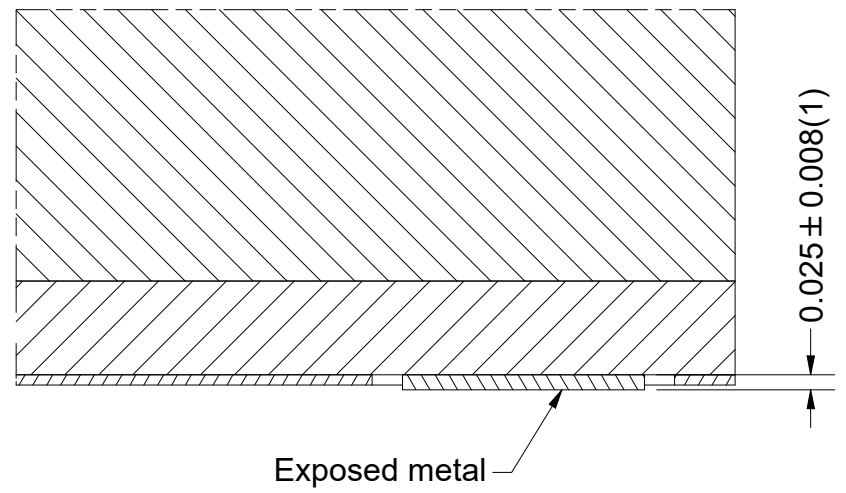
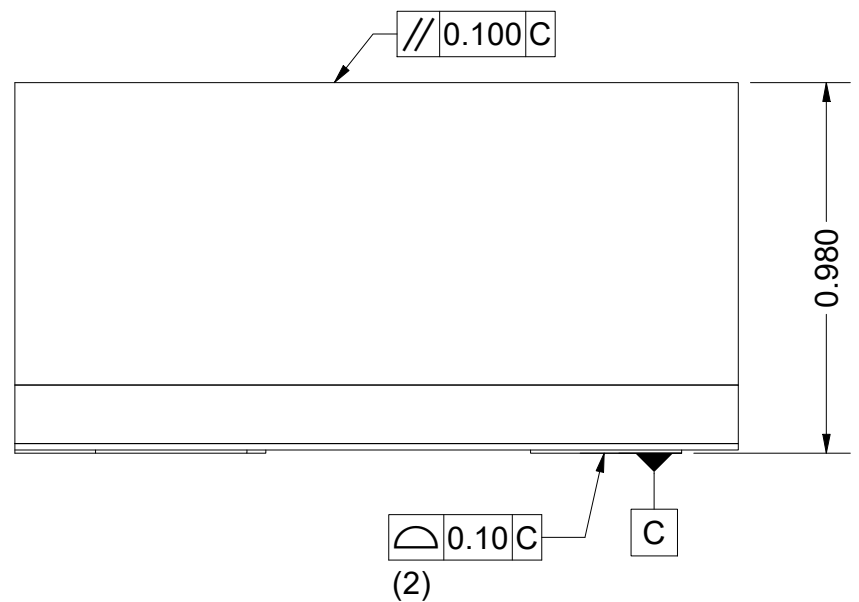
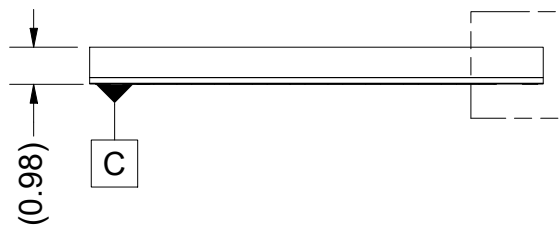


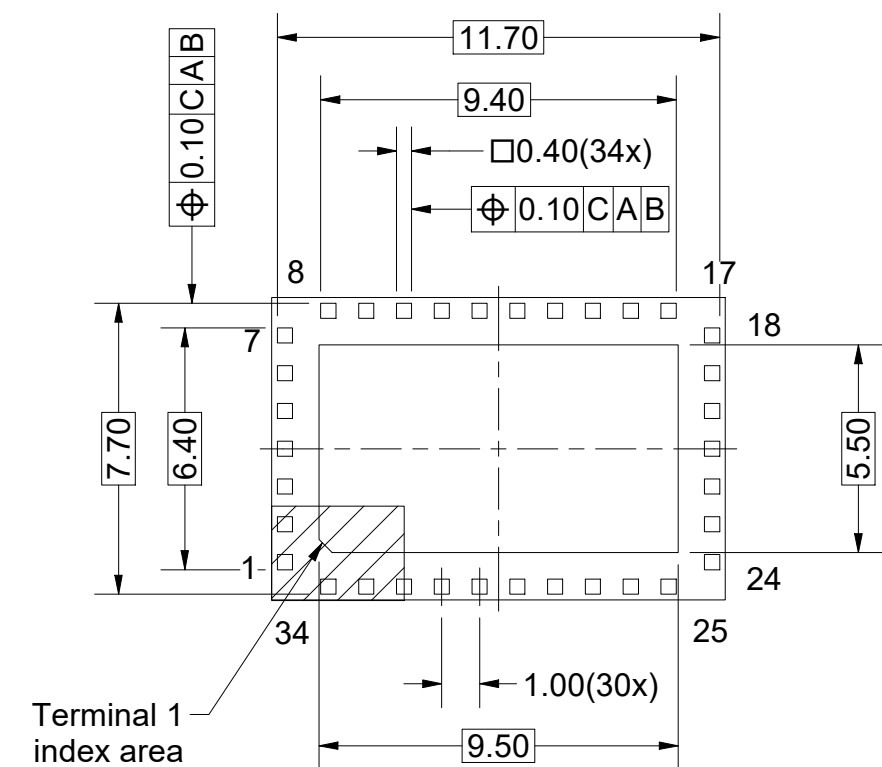
SECTION B-B
SCALE 80:1
Cropped view

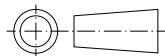


See Detail A



DETAIL A
SCALE 50 : 1



Package outline drawing:	units in mm.	Tolerances unless otherwise stated: Dimension: ± 0.10	Revision: 0 Revision date: 2/16/2022
LGA-12x8-34-2 Publication		 Third angle projection	Sheet 1 of 2

Drawing Notes

Items	Description
(1)	Metal thickness of solder pads.
(2)	Flatness with respect to exposed metal

Package outline drawing:

LGA-12x8-34-2

units in mm.

Tolerances unless otherwise stated:

Dimension: ± 0.10

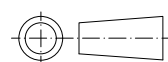
Angle: $\pm 1^\circ$

Revision:

0

Revision date:

2/16/2022



Third angle projection

Sheet 2 of 2