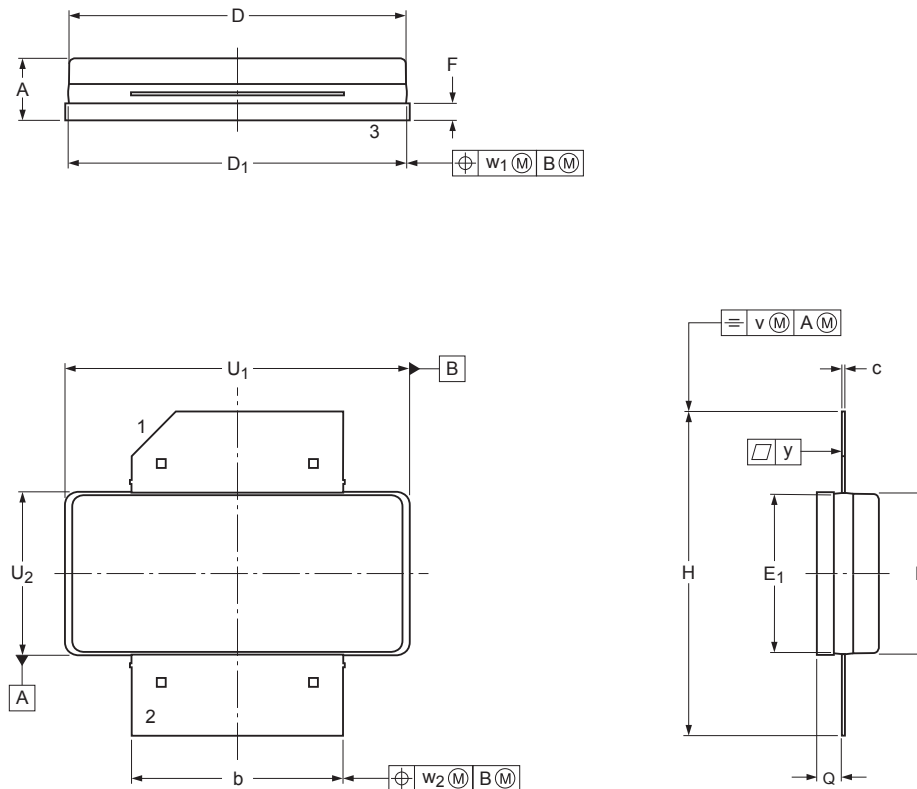


Air cavity plastic earless flanged package; 2 leads

SOT1270-1



Dimensions

Unit	A	b	c	D	D <sub>1</sub>	E	E <sub>1</sub>	F	H	Q <sup>(1)</sup>	U <sub>1</sub>	U <sub>2</sub>	v	w <sub>1</sub>	w <sub>2</sub>	y
max	4.01	12.80	0.18	20.42	20.37	9.80	9.75	1.14	19.53	1.68	20.70	9.91	0.50	0.50	0.50	0.10
nom																
min	3.40	12.60	0.13	20.12	20.17	9.50	9.55	0.94	19.33	1.45	20.50	9.70				

Note

1. Dimension Q is measured 0.1 mm away from the flange.
2. Ringframe and/or ringframe glue shall not overhang at the side of the flange.

sot1270-1\_po

Outline version	References			European projection	Issue date
	IEC	JEDEC	JEITA		
SOT1270-1					16-09-28 16-11-15