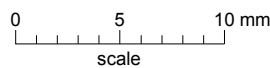
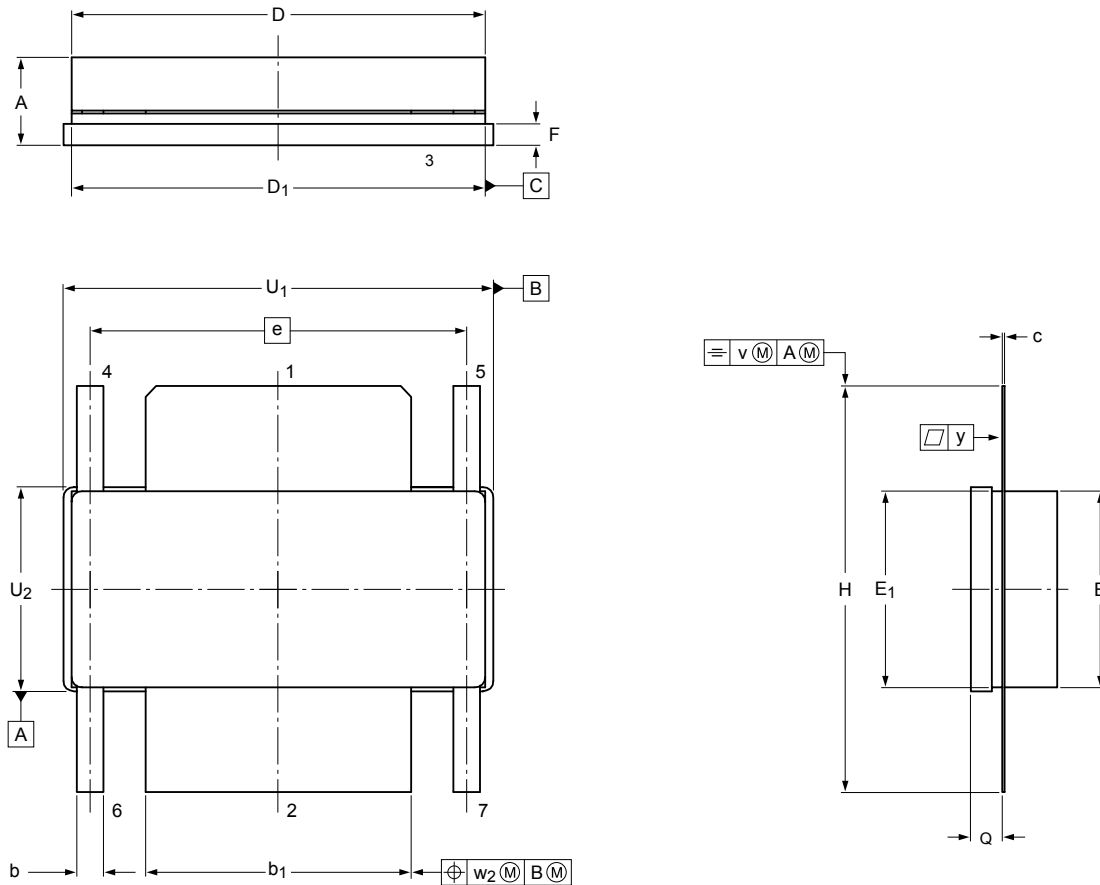


Earless flanged ceramic package; 6 leads

SOT1244B



Dimensions

Unit ⁽¹⁾	A	b	b ₁	c	D	D ₁	e	E	E ₁	F	H	Q ⁽²⁾	U ₁	U ₂	v	w ₂	y
mm	max	4.75	1.41	12.83	0.18	20.02	19.96	9.53	9.53	1.14	19.94	1.70	20.70	9.91	0.25	0.25	0.25
	nom						18.03										
	min	3.45	1.14	12.57	0.10	19.61	19.66	9.27	9.27	0.89	18.92	1.45	20.45	9.65			
inches	max	0.187	0.055	0.505	0.007	0.788	0.786	0.375	0.375	0.045	0.785	0.067	0.815	0.39	0.01	0.01	0.01
	nom						0.710										
	min	0.136	0.045	0.495	0.004	0.772	0.774	0.365	0.365	0.035	0.745	0.057	0.805	0.38			

Note

1. Millimeter dimensions are derived from the original inch dimensions.
2. Dimension is measured 0.030 inch (0.76 mm) from body.

sot1244b_po

Outline version	References			European projection	Issue date
	IEC	JEDEC	JEITA		
SOT1244B					12-04-18 12-05-07