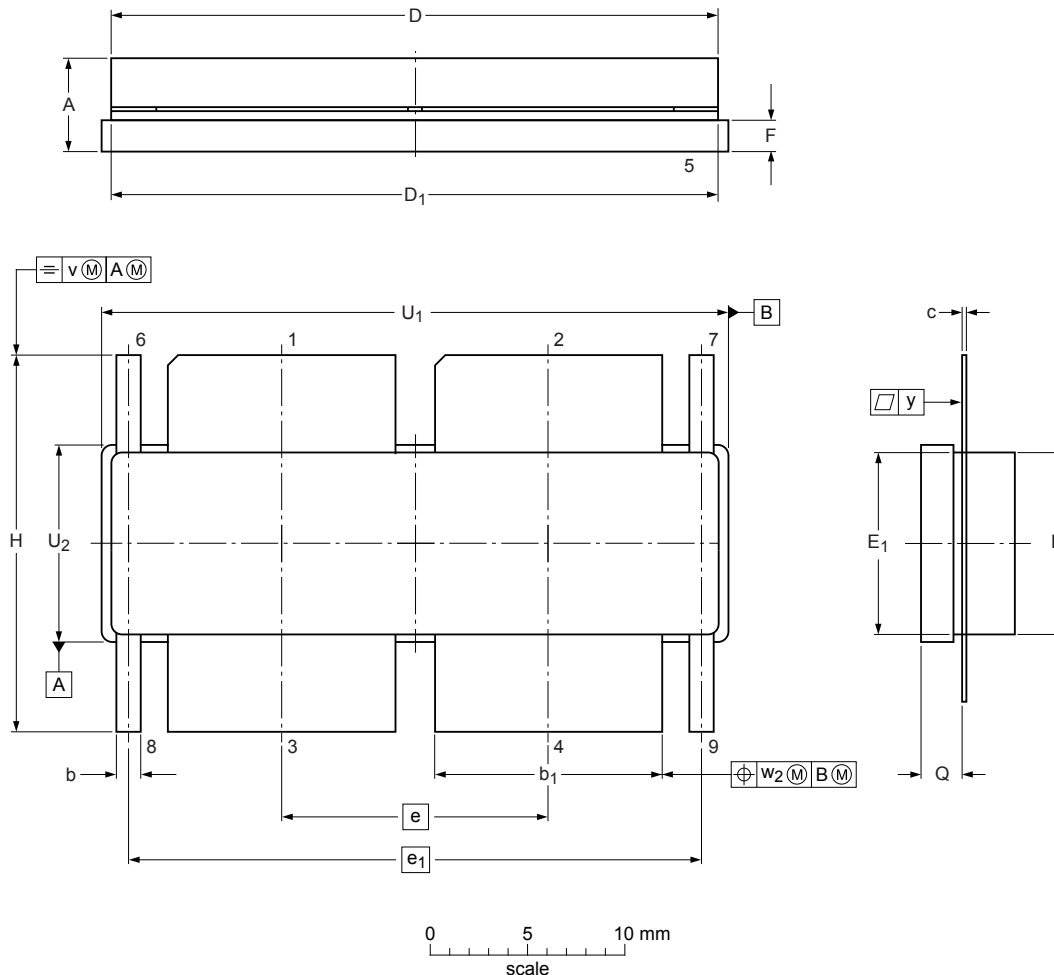


Earless flanged ceramic package; 8 leads

SOT1242B



Dimensions

Unit ⁽¹⁾	A	b	b ₁	c	D	D ₁	e	e ₁	E	E ₁	F	H	Q ⁽²⁾	U ₁	U ₂	v	w ₂	y
mm	max	5.5	1.41	11.81	0.18	31.55	31.52		9.50	9.53	1.75	19.94	2.26	32.39	10.29	0.25	0.25	0.10
	nom							13.72	29.47									
inches	max	0.217	0.055	0.465	0.007	1.242	1.241		0.374	0.375	0.069	0.785	0.089	1.275	0.405	0.010	0.010	0.004
	nom							0.540	1.16									
	min	0.165	0.045	0.455	0.004	0.218	1.219		0.366	0.365	0.059	0.745	0.079	1.265	0.395			

Note

1. Millimeter dimensions are derived from the original inch dimensions.
2. Dimension is measured 0.030 inch (0.76 mm) from the body.

sot1242b_po

Outline version	References			European projection	Issue date
	IEC	JEDEC	JEITA		
SOT1242B					-12-11-28- 15-07-21